



HANDI-MOVE MODEL 1020

BODY SUPPORT

The body support enables you to live more independently.



- Lifts quickly and safely
- Enables independent transfers
- From bed to bath / wheelchair / toilet...
- Leaves the back and seat entirely free
- As simple and versatile as a pair of hands
- Comfortable sitting position
- Hygienic and maintenance free
- An aid to floor exercises
- A bathing aid
- A stander, walker and rehabilitation aid

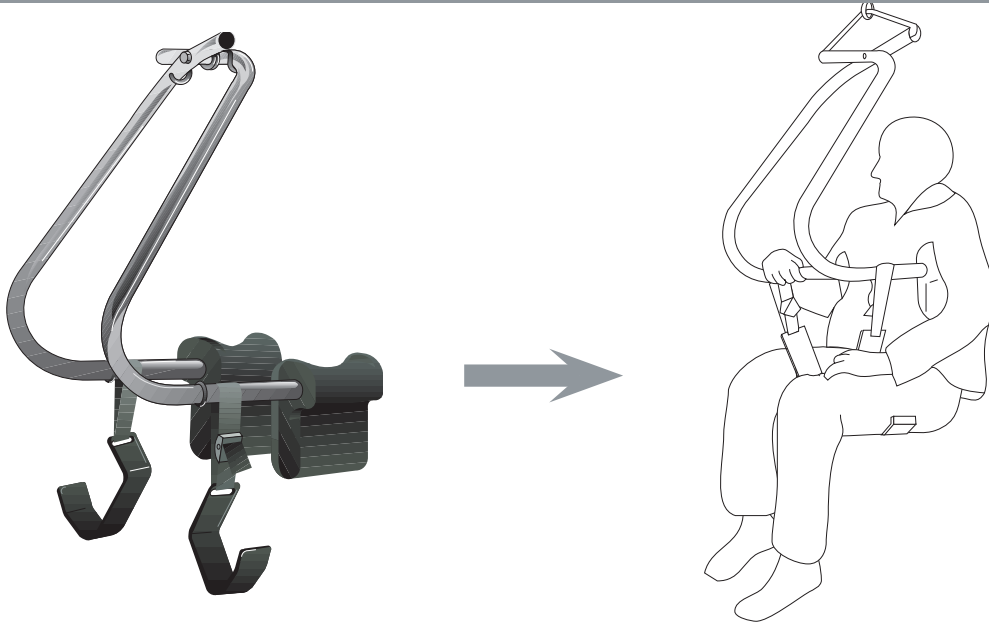


Handi-Move INTERNATIONAL

SPECIALISTS IN INNOVATIVE AND RELIABLE LIFT & CARE SYSTEMS

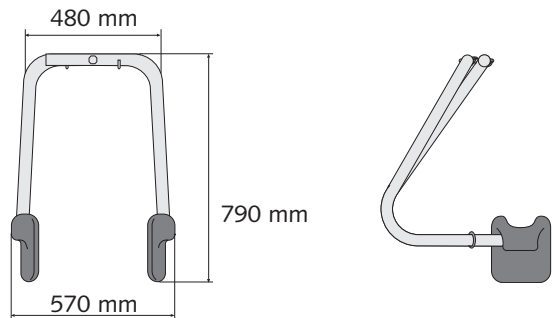
TECHNICAL SPECIFICATIONS

COMFORTABLE SITTING POSITION



DIMENSIONS & SPECIFICATIONS

Construction:.....316 stainless steel
 height:..... normal (N) 790 mm
 small (S) 710 mm
 extra-small (XS) 670 mm
 Width: 480 mm

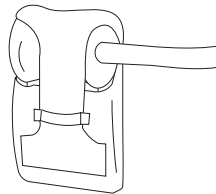


CAN BE ADAPTED TO MEET SPECIFIC NEEDS

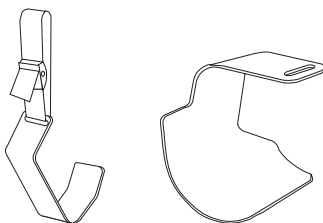
Security band



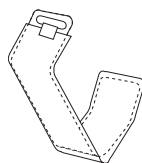
Cushions for curve-around cups



Thigh supports in different dimensions and materials



Soft covers for thigh supports



For free demonstration or further information :

