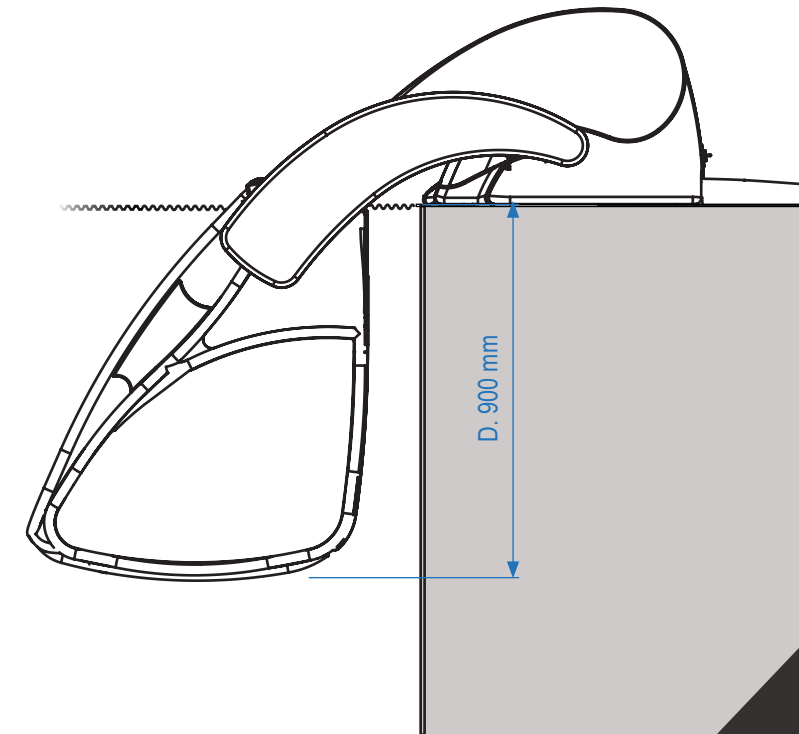
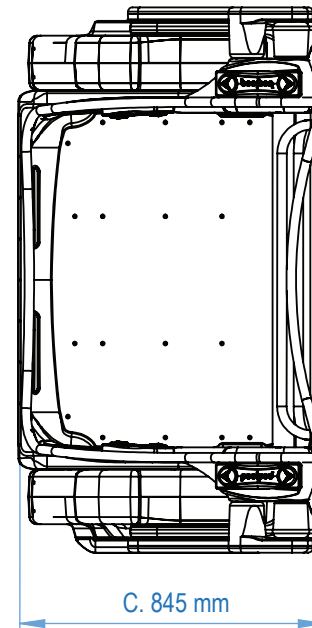
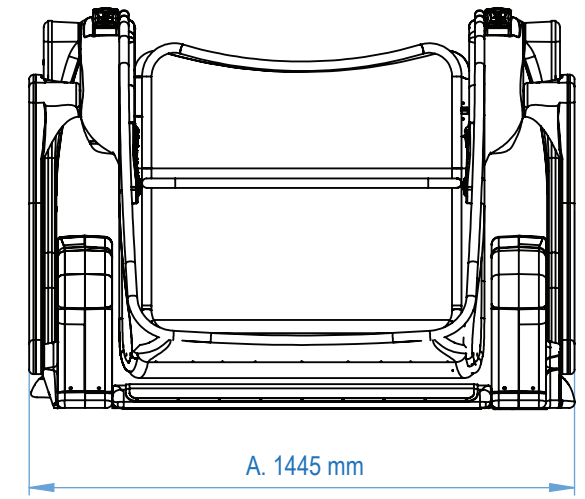
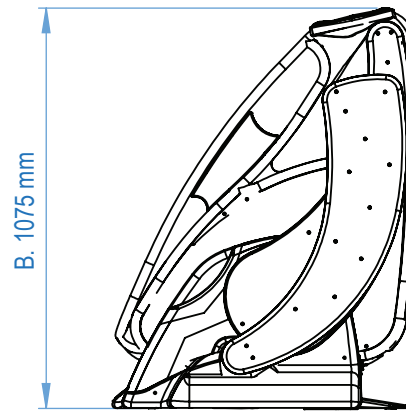




## SPECIFICATION

The Poolpod Platform Lift provides dignified and independent access for swimmers who find it hard to get in and out of swimming pools.

- Independently operated by way of electronic wristband
- User can choose to either remain standing or sit using the custom submersible wheelchair
- Maximum working load - 250Kg
- Powder coated 316 grade stainless steel framework
- Powered by a 24V rechargeable battery
- Semi-portable - transport trolleys available to allow the Poolpod to be moved away from the poolside
- Takes just 20 Seconds to lower into the pool
- Lowers to a depth of 0.9m
- Installation requires just two anchors at the rear of the Pod
- Suitable for retrofit or new build pools
- Compatible with most pool types



- |    |                                  |
|----|----------------------------------|
| A. | Total Poolpod Length             |
| B. | Total Poolpod Height             |
| C. | Total Poolpod Width              |
| D. | Maximum Platform Depth Into pool |



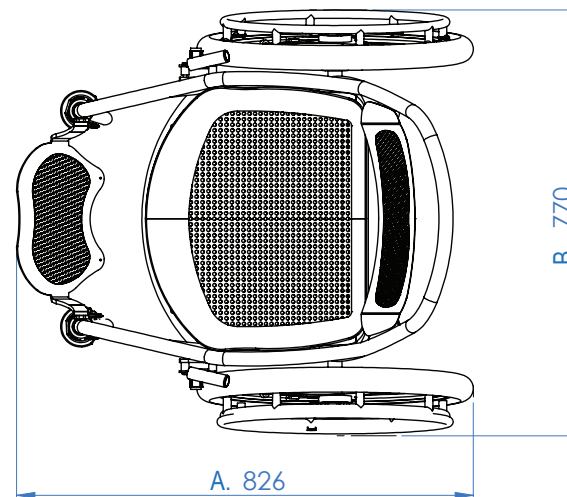
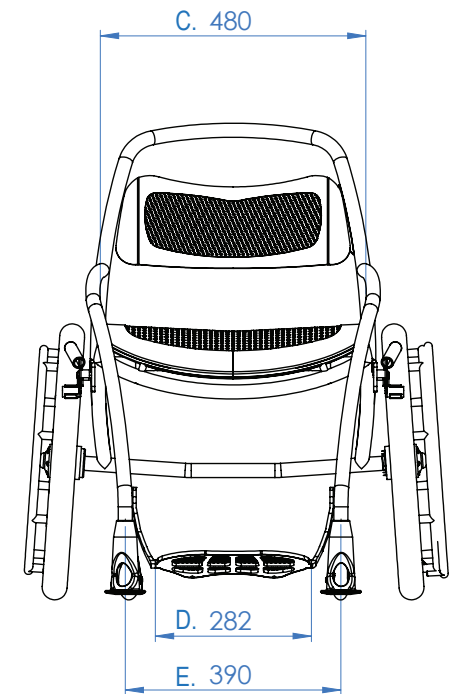
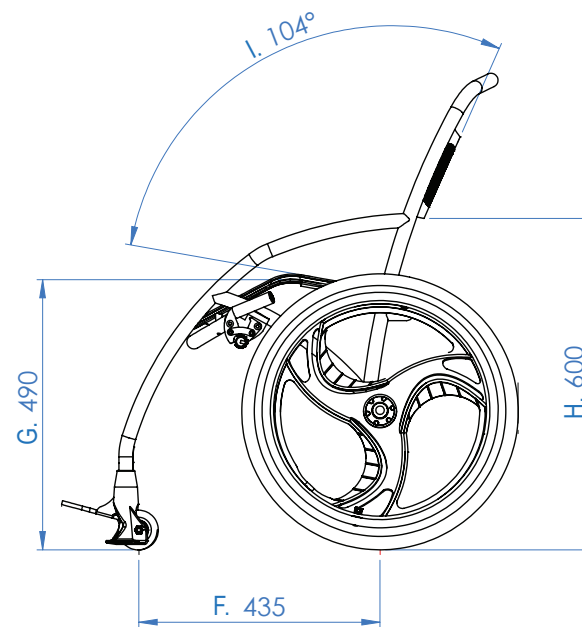
**Poolpod Platform Lift - PP1**  
Specification



#### SPECIFICATION

Submersible wheelchair for use in swimming pools and wet leisure activities.

- Framework 316 grade stainless steel
- Hand operated pivot brake system
- 20" plastic rear wheels and push rails
- Pneumatic tyres
- Option of sealed stainless steel or plastic wheel bearings
- Quick dry fabric seating
- Chest strap for added lumbar support.



- |    |                                |
|----|--------------------------------|
| A. | Total Wheelchair Length        |
| B. | Total Wheelchair Width         |
| C. | Seating Width                  |
| D. | Foot Rest Width                |
| E. | Distance Between Front Castors |
| F. | Wheel Base                     |
| G. | Seat Height                    |
| H. | Back Rest Height               |
| I. | Seat Angle                     |