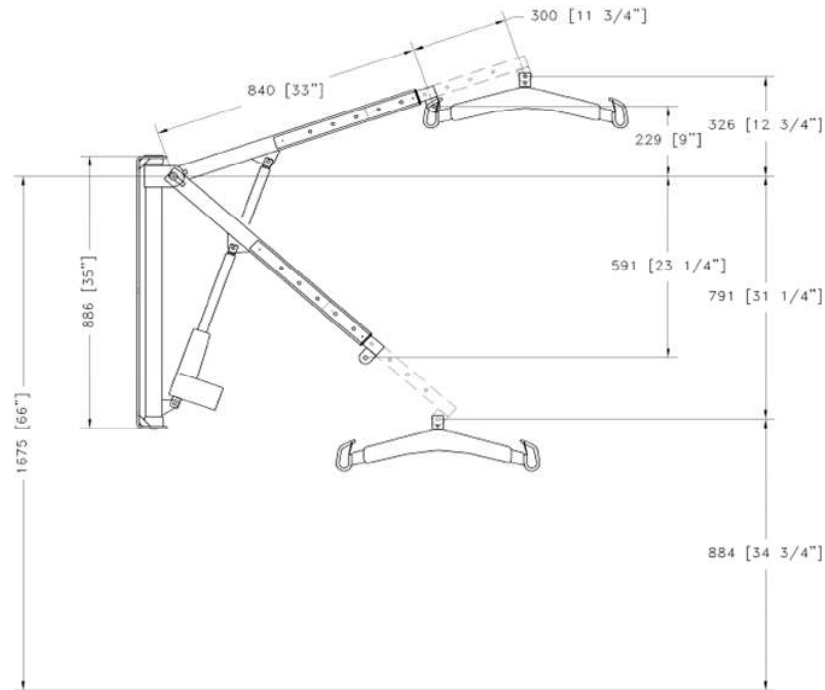
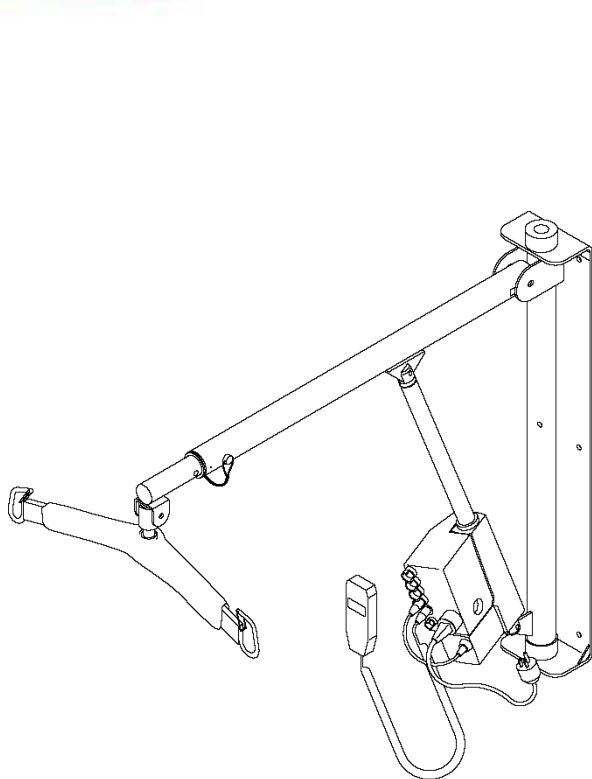


# Ergolift WL 350lbs capacity...



# Ergolift WL 350lbs capacity...



TOTAL LIFTING RANGE: 826 (32.5") - 1155 (45")  
 TIME FOR TOTAL TRAVEL: 40 sec.  
 CAPACITY: 160kg (350lb)  
 APPROX. WEIGHT: 14.5kg (32lb)

SPECIFICATIONS SUBJECT TO CHANGE WITHOUT NOTICE

NON SPECIFIED TOLERANCES: DIMENSION IN MILLIMETRES	
DECIMALS:	ANGLES:
.X ± .5	± 1°
.XX ± .25	0 DECIMAL
.XXX ± .025	± 1'
MATERIAL: - - -	
SCALE:	DATE:
1 = 15	07-10-9

# Ergolift WL on 2x4 wooden studs...

