

HANDI-MOVE MODEL 3473

# SEAT SLING PVC

Comfortable in the water



SUREHANDS®



- Made of PVC for flexibility, strength, and easy maintenance
- Slight recline position offers safe support during lifting
- Fits into wheelchair or chair for ease of use
- Seat is perforated to let water flow out... dries easily
- Can be used with all **SureHands Lift & Care Systems**
- Assumes the form of the bath
- Reinforced seating surface and back-rest
- Adjustable loop length



SUREHANDS®

SPECIALISTS IN INNOVATIVE AND RELIABLE LIFT & CARE SYSTEMS

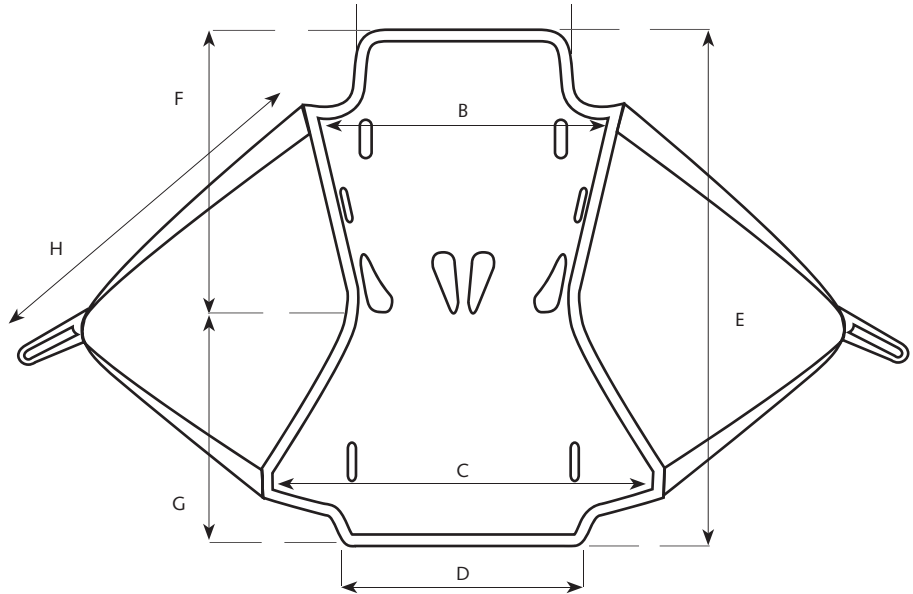


# TECHNICAL SPECIFICATIONS

## DIMENSIONS AND SPECIFICATIONS

- A ..... 38 / 14.96 (cm / inch)
- B ..... 58 / 22.83
- C ..... 65 / 25.59
- D ..... 38 / 14.96
- E ..... 101 / 39.76
- F ..... 60 / 23.62
- G ..... 41 / 16.14
- H ..... 60 / 23.62

Material: PVC, polyester, plastic  
Maximum load: 120 kg / 265 Lbs



Local Representative:

© 2008 Handi-Move V1