
SECTION 3

BUILDERS DRAWINGS

Builders Drawings Contents

Product: VM Builders Manual
Document Ref: BW01 5190
Description: Builders Drawings Contents

Compiled by: K.Farthing
Issue: 1
Date: 25 November 2004

[Return to contents](#)

1. [VM00 6012](#) Sheet 1.Mid Floor Load 400mm Joist Centres Load Case 1
2. [VM00 6012](#) Sheet 2.Mid Floor Load 400mm Joist Centres Load Case 2
3. [VM00 6012](#) Sheet 3.Mid Floor Load 400mm Joist Centres Load Case 3
4. [VM00 6012](#) Sheet 4.Mid Floor Load 400mm Joist Centres Load Case 4
5. [VM00 6013](#) Mid Floor Load 600mm Joist Centres
6. [VM30 9001](#) Structural Loadings
7. [VM30 9004](#) Sheet 1. Builders Instructions. Aperture cut-out
8. [VM30 9004](#) Sheet 2. Builders Instructions Ceiling Patch
9. [VM30 9009](#) Sheet 1. Shafted Lifts. cut-out Detail
10. [VM30 9009](#) Sheet 2. Shafted Lifts. Ceiling Patch
11. [VM30 9008](#) Floor Run Out
12. [VM30 9005](#) Sheet 1. Aperture Trim Fixing
13. [VM30 9005](#) Sheet 2. Aperture Trim Fixing
14. [VM30 9005](#) Sheet 3. Aperture Trim Fixing
15. [VM10 7001](#) Lift Dimensions
16. [VM00 2010](#) Sheet 1. Track Installation VM30/31/36 Ceiling Fix
17. [VM00 2010](#) Sheet 2. Track Installation VM30/31/36 Wall Fix
18. [VM00 2010](#) Sheet 3. Track Installation VM50/51/56 Ceiling Fix
19. [VM00 2010](#) Sheet 4. Track Installation VM50/51/56 Wall Fix



THIRD ANGLE PROJECTION
REMOVE ALL BURRS AND SHARP EDGES DO NOT SCALE IF IN DOUBT - ASK

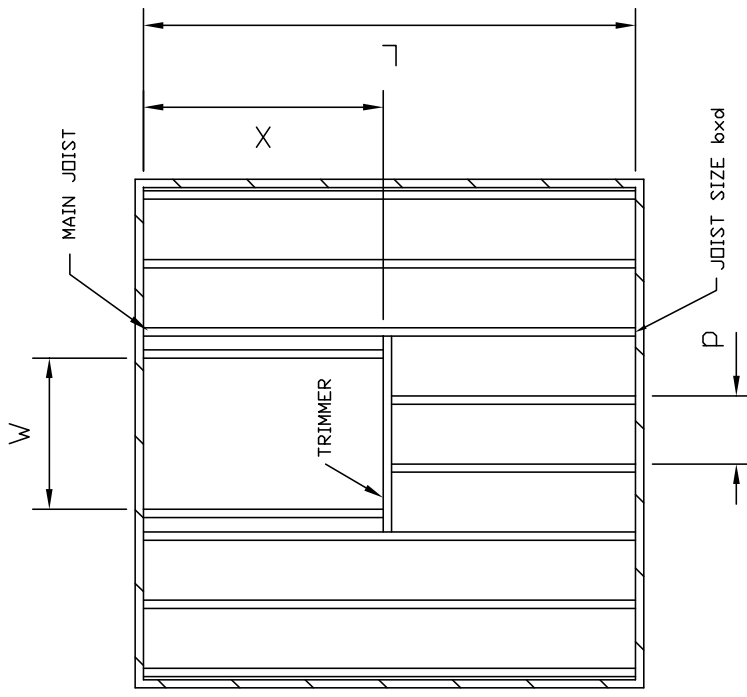


TABLE FOR JOISTS UP TO 400 CENTRES

span Joist size	2.0 to 2.3m	2.3 to 2.6m	2.6 to 3.0m	3.0 to 3.3m	3.3 to 3.6m	3.6 to 4.0m	4.0 to 4.3m	4.3 to 4.6m	4.6 to 5.0m
47x147	OK	D	D	D(75x147)					
47x170	OK	OK	D	D	D(63x170)				
47x195	OK	OK	D	D	D	D(63x195)	D(75x195)		
47x220	OK	OK	OK	D	D	D	D	D(63x220)	
63x147	OK	D(47x147)	D(47x147)	D	D(75x147)				
63x170	OK	OK	D(47x170)	D(47x170)	D(47x170)	D(75x170)			
63x195	OK	OK	OK	D(47x195)	D(47x195)	D(47x195)	D	D	
63x220	OK	OK	OK	OK	OK	D(47x220)	D(47x220)	D(47x220)	D
75x147	OK	OK	D(47x147)	D(47x147)	D				
75x170	OK	OK	OK	D(47x170)	D(47x170)	D(63x170)	D		
75x195	OK	OK	OK	OK	OK	D(47x195)	D(47x195)	D(63x195)	D
75x220	OK	OK	OK	OK	OK	OK	D(47x220)	D(47x220)	D(47x220)

NOTES;

- Figures in brackets are the minimum additional Joist sizes to be used when doubling.
- Parametric dimensions refer to calculation sheet 5 to 40 of this drawing

B	see sheet 4, ECO631	DJM 11.3.97
A	ECO 0610	DJM 5.11.96
ISS	ALTERATION	INTLS & DATE

Wessex
WESSEX MEDICAL EQUIP. CO. LTD
BUDDS LANE, ROMSEY,
HAMPSHIRE. SO51 0HA

THIS DRAWING IS THE PROPERTY OF WESSEX MEDICAL EQUIP. CO. LTD. AND MAY NOT BE PUBLISHED, REPRODUCED OR USED FOR ANY PURPOSE WITHOUT THE EXPRESS PERMISSION OF THE OWNERS IN WRITING

SCALE	—	ALL DIMENSIONS IN mm UNLESS OTHERWISE STATED AND DRAWN TO BS 308
DRN	DJM	DATE 5.11.96
CHKD		DATE
APPD		DATE

TOLERANCES:	ANGULAR ±0.5°
X	X.X
X.XX	THREAD ISO COARSE CLASS 6
±1.0	±0.25 ±0.13

DESCRIPTION	MID-FLOOR DETAILS LOAD CASE 1	DRAWING No.	VM00 6012
		ISS	ALTERATION
		B	see sheet 4, ECO631
		A	ECO 0610
		ISS	ALTERATION
		DJM	11.3.97
		DJM	5.11.96
		INTLS	& DATE
		DRAWING No. VM00 6012	
		SHEET 1 OF 4 SHITS	



THIRD ANGLE PROJECTION
REMOVE ALL BURRS AND SHARP EDGES DO NOT SCALE IF IN DOUBT - ASK

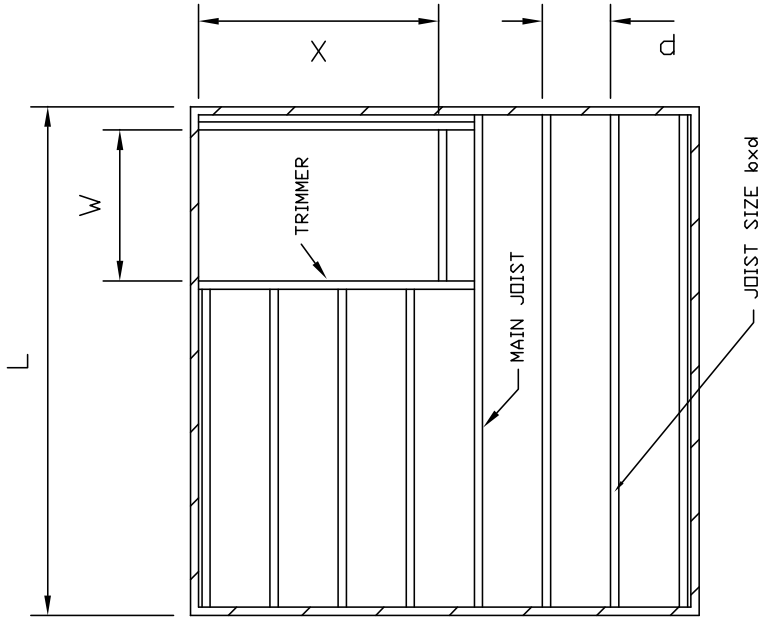


TABLE FOR JOISTS UP TO 400 CENTRES

span Joist size	2.0 to 2.3m	2.3 to 2.6m	2.6 to 3.0m	3.0 to 3.3m	3.3 to 3.6m	3.6 to 4.0m	4.0 to 4.3m	4.3 to 4.6m	4.6 to 5.0m
47x147	D	D	D(63x147)	D(75x147)					
47x170	OK	D	D	D	D(63x170)				
47x195	OK	OK	D	D	D	D(63x195)	D(75x195)		
47x220	OK	OK	OK	OK	D	D	D	D(63x220)	
63x147	D(47x147)	D(47x147)	D(47x147)	D	D(75x147)				
63x170	OK	OK	D(47x170)	D(47x170)	D(47x170)	D(75x170)			
63x195	OK	OK	OK	OK	D(47x195)	D(47x195)	D(47x195)	D	
63x220	OK	OK	OK	OK	OK	OK	D(47x220)	D(47x220)	D
75x147	OK	D(47x147)	D(47x147)	D(47x147)	D				
75x170	OK	OK	D(47x170)	D(47x170)	D(47x170)	D(63x170)	D		
75x195	OK	OK	OK	D(47x195)	D(47x195)	D(47x195)	D(63x195)	D(63x195)	D
75x220	OK	OK	OK	OK	OK	OK	D(47x220)	D(47x220)	D(47x220)

NOTES:

- Figures in brackets are the minimum additional joist sizes to be used when doubling.
- Parametric dimensions refer to calculation sheet 5 to 40 of this drawing

B	see sheet 4, ECO631	DJM 11.3.97
A	ECO 0610	DJM 5.11.96
ISS	ALTERATION	INTLS & DATE

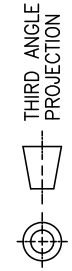
Wessex
WESSEX MEDICAL EQUIP. CO. LTD
BUDDS LANE, ROMSEY,
HAMPSHIRE. SO51 0HA

SCALE	-
DRN	DJM
CHKD	
APPD	
DATE	5.11.96

ALL DIMENSIONS IN mm UNLESS OTHERWISE STATED AND DRAWN TO BS 308	
TOLERANCES:	ANGULAR ±0.5°
X	X.XX
±1.0	±0.25 ±0.13
±0.25	±0.13
±0.13	CLASS 6
THREAD ISO COARSE	

DESCRIPTION
MID-FLOOR DETAILS
LOAD CASE 2

DRAWING No.	VM00 6012
SHEET 2 OF 4 SHEETS	



REMOVE ALL BURRS AND SHARP EDGES
DO NOT SCALE
IF IN DOUBT - ASK

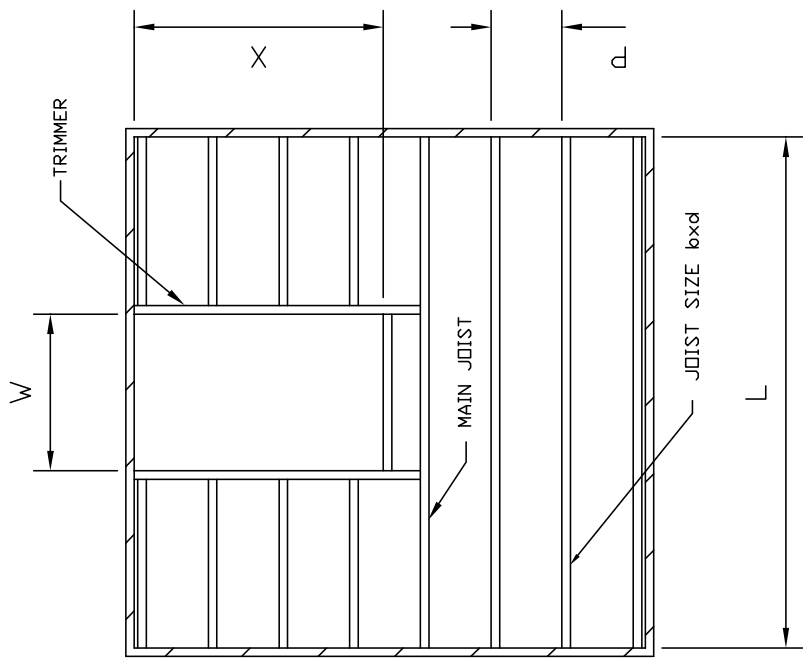


TABLE FOR JOISTS UP TO 400 CENTRES

Joist size	span	2.0 to 2.3m	2.3 to 2.6m	2.6 to 3.0m	3.0 to 3.3m	3.3 to 3.6m	3.6 to 4.0m	4.0 to 4.3m	4.3 to 4.6m	4.6 to 5.0m
47x147		OK	D	D	D(63x147)					
47x170		OK	OK	D	D	D(63x170)				
47x195		OK	OK	OK	D	D	D(63x195)	T		
47x220		OK	OK	OK	OK	D	D	D(63x220)	D(75x220)	
63x147		OK	OK	D(47x147)	D(47x147)	D(75x147)				
63x170		OK	OK	OK	D(47x170)	D(47x170)	D(75x170)			
63x195		OK	OK	OK	OK	D(47x195)	D(47x195)	D(75x195)	T(47X195)	
63x220		OK	OK	OK	OK	OK	D(47x220)	D(47x220)	D(75x220)	T(47X220)
75x147		OK	OK	D(47x147)	D(47x147)	D(63x147)				
75x170		OK	OK	D(47x170)	D(47x170)	D(47x170)	D	D		
75x195		OK	OK	OK	OK	D(47x195)	D(47x195)	D(63x195)	D	T(63x195)
75x220		OK	OK	OK	OK	OK	D(47x220)	D(47x220)	D(63x220)	D

NOTES:

- Figures in brackets are the minimum additional joist sizes to be used when doubling.
- Parametric dimensions refer to calculation sheet 5 to 40 of this drawing

B	see sheet 4, ECO631	DJM	11.3.97
A	ECO 0610	DJM	5.11.96
ISS	ALTERATION	INTLS	& DATE

Wessex
 WESSEX MEDICAL EQUIP. CO. LTD
 BUDDS LANE, ROMSEY, HAMPSHIRE. SO51 0HA

THIS DRAWING IS THE PROPERTY OF WESSEX MEDICAL EQUIP. CO. LTD. AND MAY NOT BE PUBLISHED, REPRODUCED OR USED FOR ANY PURPOSE WITHOUT THE EXPRESS PERMISSION OF THE OWNERS IN WRITING

SCALE	—	ALL DIMENSIONS IN mm UNLESS OTHERWISE STATED AND DRAWN TO BS 308
DRN	DJM	DATE 5.11.96
CHKD		DATE
APPD		DATE
TOLERANCES:	UNLESS OTHERWISE STATED	ANGULAR ±0.5°
X	X.X	X.XX
±1.0	±0.25	±0.13
THREAD ISO COARSE	CLASS 6	FINISH:

DESCRIPTION
 MID-FLOOR DETAILS
 LOAD CASE 3

DRAWING No.
 VM00 6012
 SHEET 3 OF 4 SHTS



REMOVE ALL BURRS AND SHARP EDGES
DO NOT SCALE
IF IN DOUBT - ASK

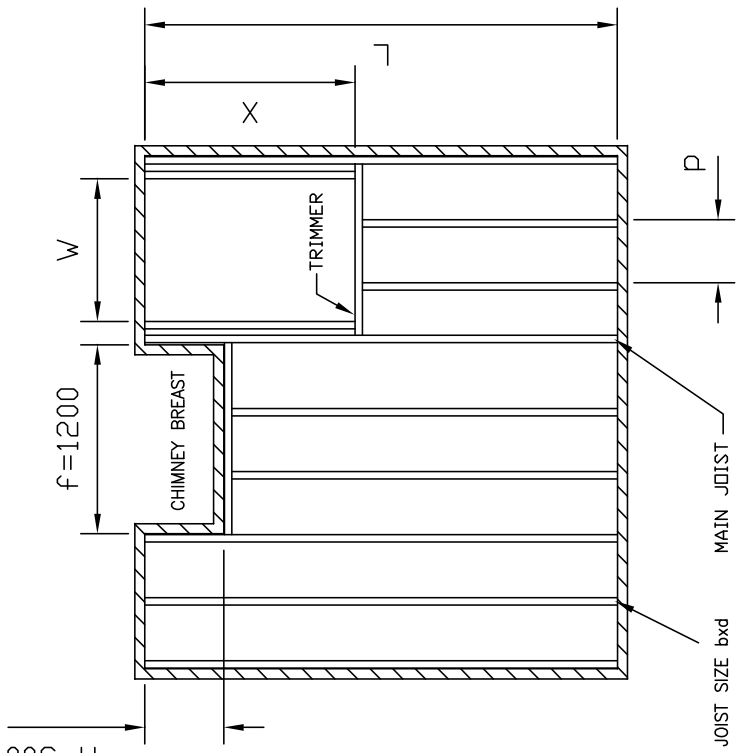


TABLE FOR JOISTS UP TO 400 CENTRES

span Joist size	2.0 to 2.3m	2.3 to 2.6m	2.6 to 3.0m	3.0 to 3.3m	3.3 to 3.6m	3.6 to 4.0m	4.0 to 4.3m	4.3 to 4.6m	4.6 to 5.0m
47x147	D	D	D(63x147)	T					
47x170	D	D	D	D(63x170)	D(75x170)				
47x195	OK	D	D	D	D	D(63x195)	D(75x195)		
47x220	OK	OK	D	D	D	D	D	D(63x220)	
63x147	OK	OK	D(47x147)	D(75x147)	T				
63x170	OK	OK	D(47x170)	D(47x170)	D(47x170)	D(47x170)			
63x195	OK	OK	OK	D(47x195)	D(47x195)	D(47x195)	D	D(75x195)	
63x220	OK	OK	OK	OK	D(47x220)	D(47x220)	D(47x220)	D(47x220)	D
75x147	OK	D(47x147)	D(47x147)	D	T(47x147)				
75x170	OK	OK	D(47x170)	D(47x170)	D(47x170)	D	T(47x195)		
75x195	OK	OK	OK	OK	D(47x195)	D(47x195)	D(63x195)	D	T(47x195)
75x220	OK	OK	OK	OK	OK	OK	D(47x220)	D(47x220)	D(63x220)

NOTES:

- Figures in brackets are the minimum additional joist sizes to be used when doubling.
- Parametric dimensions refer to calculation sheet 5 to 40 of this drawing
- For f dimension greater than 1200 consult Wessex Medical engineering department.

B	63x220 was ECO 0631	DJM 11.3.97
A	ECO 0610	DJM 5.11.96
ISS	ALTERATION	INTLS & DATE

Wessex
WESSEX MEDICAL EQUIP. CO. LTD
BUDDS LANE, ROMSEY,
HAMPSHIRE. SO51 0HA

THIS DRAWING IS THE PROPERTY
OF WESSEX MEDICAL EQUIP. CO.
LTD. AND MAY NOT BE PUBLISHED,
REPRODUCED OR USED FOR
ANY PURPOSE WITHOUT THE
EXPRESS PERMISSION OF THE
OWNERS IN WRITING

SCALE	-	ALL DIMENSIONS IN mm UNLESS OTHERWISE STATED AND DRAWN TO BS 308
DRN	DJM	DATE 5.11.96
CHKD		DATE
APPD		DATE
TOLERANCES:	ANGULAR ±0.5°	
X	X.X	X.XX
±1.0	±0.25	±0.13
		THREAD ISO COARSE CLASS 6

DESCRIPTION
MID-FLOOR DETAILS
LOAD CASE 4

DRAWING No.
VM00 6012
SHEET 4 OF 4 SHITS

THIRD ANGLE PROJECTION
REMOVE ALL BURRS AND SHARP EDGES
IF IN DOUBT - ASK

TABLE FOR JOISTS AT 600 CENTRES

JOIST SIZE	2.0 to 2.3m		2.3 to 2.6m		2.6 to 3.0m		3.0 to 3.3m		3.3 to 3.6m		3.6 to 4.0m		4.0 to 4.3m		4.3 to 4.6m		4.6 to 5.0m		
	min	max	min	max	min	max	min	max	min	max	min	max	min	max	min	max	min	max	
47x147	D	D	D	D	D	D	D	D	D	D	D	D	D	D	D	D	D	D	D
47x170	DK	DK	DK	DK	DK	DK	DK	DK	DK	DK	DK	DK	DK	DK	DK	DK	DK	DK	DK
47x195	DK	DK	DK	DK	DK	DK	DK	DK	DK	DK	DK	DK	DK	DK	DK	DK	DK	DK	DK
47x220	DK	DK	DK	DK	DK	DK	DK	DK	DK	DK	DK	DK	DK	DK	DK	DK	DK	DK	DK
53x147	DK	DK	DK	DK	DK	DK	DK	DK	DK	DK	DK	DK	DK	DK	DK	DK	DK	DK	DK
53x170	DK	DK	DK	DK	DK	DK	DK	DK	DK	DK	DK	DK	DK	DK	DK	DK	DK	DK	DK
53x195	DK	DK	DK	DK	DK	DK	DK	DK	DK	DK	DK	DK	DK	DK	DK	DK	DK	DK	DK
53x220	DK	DK	DK	DK	DK	DK	DK	DK	DK	DK	DK	DK	DK	DK	DK	DK	DK	DK	DK
75x147	DK	DK	DK	DK	DK	DK	DK	DK	DK	DK	DK	DK	DK	DK	DK	DK	DK	DK	DK
75x170	DK	DK	DK	DK	DK	DK	DK	DK	DK	DK	DK	DK	DK	DK	DK	DK	DK	DK	DK
75x195	DK	DK	DK	DK	DK	DK	DK	DK	DK	DK	DK	DK	DK	DK	DK	DK	DK	DK	DK
75x220	DK	DK	DK	DK	DK	DK	DK	DK	DK	DK	DK	DK	DK	DK	DK	DK	DK	DK	DK

NOTES:
1. Figures in brackets are the minimum additional joist sizes to be used when doubling.
2. Parametric dimensions refer to calculation sheet 5 to 40 of this drawing.

SCALE: 1:10
DRAWING No. VM00 6013
MID-FLOOR DETAILS
LOAD CASE 1
SHEET 1 OF 4 SHEETS

AWOSSEX ©
BESSEY METAL EQUIP. CO. LTD
BESSEY LANE, ROUSSET, HANTS, RG20 1JH, UK
T: 01256 353113
F: 01256 353114
WWW.AWOSSEX.CO.UK

ALL DIMENSIONS IN mm UNLESS OTHERWISE SPECIFIED
TOLERANCES: ANGULAR ±0.2
LINEAR ±0.15
X: ±0.15
Y: ±0.15
Z: ±0.15
H: ±0.15
D: ±0.15
R: ±0.15
S: ±0.15
T: ±0.15
U: ±0.15
V: ±0.15
W: ±0.15
X: ±0.15
Y: ±0.15
Z: ±0.15
H: ±0.15
D: ±0.15
R: ±0.15
S: ±0.15
T: ±0.15
U: ±0.15
V: ±0.15

DRAWING No. VM00 6013
MID-FLOOR DETAILS
LOAD CASE 1
SHEET 1 OF 4 SHEETS

THIRD ANGLE PROJECTION
REMOVE ALL BURRS AND SHARP EDGES
IF IN DOUBT - ASK

TABLE FOR JOISTS AT 600 CENTRES

JOIST SIZE	2.0 to 2.3m		2.3 to 2.6m		2.6 to 3.0m		3.0 to 3.3m		3.3 to 3.6m		3.6 to 4.0m		4.0 to 4.3m		4.3 to 4.6m		4.6 to 5.0m		
	min	max	min	max	min	max	min	max	min	max	min	max	min	max	min	max	min	max	
47x147	D	D	D	D	D	D	D	D	D	D	D	D	D	D	D	D	D	D	D
47x170	DK	DK	DK	DK	DK	DK	DK	DK	DK	DK	DK	DK	DK	DK	DK	DK	DK	DK	DK
47x195	DK	DK	DK	DK	DK	DK	DK	DK	DK	DK	DK	DK	DK	DK	DK	DK	DK	DK	DK
47x220	DK	DK	DK	DK	DK	DK	DK	DK	DK	DK	DK	DK	DK	DK	DK	DK	DK	DK	DK
53x147	DK	DK	DK	DK	DK	DK	DK	DK	DK	DK	DK	DK	DK	DK	DK	DK	DK	DK	DK
53x170	DK	DK	DK	DK	DK	DK	DK	DK	DK	DK	DK	DK	DK	DK	DK	DK	DK	DK	DK
53x195	DK	DK	DK	DK	DK	DK	DK	DK	DK	DK	DK	DK	DK	DK	DK	DK	DK	DK	DK
53x220	DK	DK	DK	DK	DK	DK	DK	DK	DK	DK	DK	DK	DK	DK	DK	DK	DK	DK	DK
75x147	DK	DK	DK	DK	DK	DK	DK	DK	DK	DK	DK	DK	DK	DK	DK	DK	DK	DK	DK
75x170	DK	DK	DK	DK	DK	DK	DK	DK	DK	DK	DK	DK	DK	DK	DK	DK	DK	DK	DK
75x195	DK	DK	DK	DK	DK	DK	DK	DK	DK	DK	DK	DK	DK	DK	DK	DK	DK	DK	DK
75x220	DK	DK	DK	DK	DK	DK	DK	DK	DK	DK	DK	DK	DK	DK	DK	DK	DK	DK	DK

NOTES:
1. Figures in brackets are the minimum additional joist sizes to be used when doubling.
2. Parametric dimensions refer to calculation sheet 5 to 40 of this drawing.

SCALE: 1:10
DRAWING No. VM00 6013
MID-FLOOR DETAILS
LOAD CASE 3
SHEET 3 OF 4 SHEETS

AWOSSEX ©
BESSEY METAL EQUIP. CO. LTD
BESSEY LANE, ROUSSET, HANTS, RG20 1JH, UK
T: 01256 353113
F: 01256 353114
WWW.AWOSSEX.CO.UK

ALL DIMENSIONS IN mm UNLESS OTHERWISE SPECIFIED
TOLERANCES: ANGULAR ±0.2
LINEAR ±0.15
X: ±0.15
Y: ±0.15
Z: ±0.15
H: ±0.15
D: ±0.15
R: ±0.15
S: ±0.15
T: ±0.15
U: ±0.15
V: ±0.15

DRAWING No. VM00 6013
MID-FLOOR DETAILS
LOAD CASE 3
SHEET 3 OF 4 SHEETS

THIRD ANGLE PROJECTION
REMOVE ALL BURRS AND SHARP EDGES
IF IN DOUBT - ASK

TABLE FOR JOISTS AT 600 CENTRES

JOIST SIZE	2.0 to 2.3m		2.3 to 2.6m		2.6 to 3.0m		3.0 to 3.3m		3.3 to 3.6m		3.6 to 4.0m		4.0 to 4.3m		4.3 to 4.6m		4.6 to 5.0m		
	min	max	min	max	min	max	min	max	min	max	min	max	min	max	min	max	min	max	
47x147	D	D	D	D	D	D	D	D	D	D	D	D	D	D	D	D	D	D	D
47x170	DK	DK	DK	DK	DK	DK	DK	DK	DK	DK	DK	DK	DK	DK	DK	DK	DK	DK	DK
47x195	DK	DK	DK	DK	DK	DK	DK	DK	DK	DK	DK	DK	DK	DK	DK	DK	DK	DK	DK
47x220	DK	DK	DK	DK	DK	DK	DK	DK	DK	DK	DK	DK	DK	DK	DK	DK	DK	DK	DK
53x147	DK	DK	DK	DK	DK	DK	DK	DK	DK	DK	DK	DK	DK	DK	DK	DK	DK	DK	DK
53x170	DK	DK	DK	DK	DK	DK	DK	DK	DK	DK	DK	DK	DK	DK	DK	DK	DK	DK	DK
53x195	DK	DK	DK	DK	DK	DK	DK	DK	DK	DK	DK	DK	DK	DK	DK	DK	DK	DK	DK
53x220	DK	DK	DK	DK	DK	DK	DK	DK	DK	DK	DK	DK	DK	DK	DK	DK	DK	DK	DK
75x147	DK	DK	DK	DK	DK	DK	DK	DK	DK	DK	DK	DK	DK	DK	DK	DK	DK	DK	DK
75x170	DK	DK	DK	DK	DK	DK	DK	DK	DK	DK	DK	DK	DK	DK	DK	DK	DK	DK	DK
75x195	DK	DK	DK	DK	DK	DK	DK	DK	DK	DK	DK	DK	DK	DK	DK	DK	DK	DK	DK
75x220	DK	DK	DK	DK	DK	DK	DK	DK	DK	DK	DK	DK	DK	DK	DK	DK	DK	DK	DK

NOTES:
1. Figures in brackets are the minimum additional joist sizes to be used when doubling.
2. Parametric dimensions refer to calculation sheet 5 to 40 of this drawing.

SCALE: 1:10
DRAWING No. VM00 6013
MID-FLOOR DETAILS
LOAD CASE 2
SHEET 2 OF 4 SHEETS

AWOSSEX ©
BESSEY METAL EQUIP. CO. LTD
BESSEY LANE, ROUSSET, HANTS, RG20 1JH, UK
T: 01256 353113
F: 01256 353114
WWW.AWOSSEX.CO.UK

ALL DIMENSIONS IN mm UNLESS OTHERWISE SPECIFIED
TOLERANCES: ANGULAR ±0.2
LINEAR ±0.15
X: ±0.15
Y: ±0.15
Z: ±0.15
H: ±0.15
D: ±0.15
R: ±0.15
S: ±0.15
T: ±0.15
U: ±0.15
V: ±0.15

DRAWING No. VM00 6013
MID-FLOOR DETAILS
LOAD CASE 2
SHEET 2 OF 4 SHEETS

THIRD ANGLE PROJECTION
REMOVE ALL BURRS AND SHARP EDGES
IF IN DOUBT - ASK

TABLE FOR JOISTS AT 600 CENTRES

JOIST SIZE	2.0 to 2.3m		2.3 to 2.6m		2.6 to 3.0m		3.0 to 3.3m		3.3 to 3.6m		3.6 to 4.0m		4.0 to 4.3m		4.3 to 4.6m		4.6 to 5.0m		
	min	max	min	max	min	max	min	max	min	max	min	max	min	max	min	max	min	max	
47x147	D	D	D	D	D	D	D	D	D	D	D	D	D	D	D	D	D	D	D
47x170	DK	DK	DK	DK	DK	DK	DK	DK	DK	DK	DK	DK	DK	DK	DK	DK	DK	DK	DK
47x195	DK	DK	DK	DK	DK	DK	DK	DK	DK	DK	DK	DK	DK	DK	DK	DK	DK	DK	DK
47x220	DK	DK	DK	DK	DK	DK	DK	DK	DK	DK	DK	DK	DK	DK	DK	DK	DK	DK	DK
53x147	DK	DK	DK	DK	DK	DK	DK	DK	DK	DK	DK	DK	DK	DK	DK	DK	DK	DK	DK
53x170	DK	DK	DK	DK	DK	DK	DK	DK	DK	DK	DK	DK	DK	DK	DK	DK	DK	DK	DK
53x195	DK	DK	DK	DK	DK	DK	DK	DK	DK	DK	DK	DK	DK	DK	DK	DK	DK	DK	DK
53x220	DK	DK	DK	DK	DK	DK	DK	DK	DK	DK	DK	DK	DK	DK	DK	DK	DK	DK	DK
75x147	DK	DK	DK	DK	DK	DK	DK	DK	DK	DK	DK	DK	DK	DK	DK	DK	DK	DK	DK
75x170	DK	DK	DK	DK	DK	DK	DK	DK	DK	DK	DK	DK	DK	DK	DK	DK	DK	DK	DK
75x195	DK	DK	DK	DK	DK	DK	DK	DK	DK	DK	DK	DK	DK	DK	DK	DK	DK	DK	DK
75x220	DK	DK	DK	DK	DK	DK	DK	DK	DK	DK	DK	DK	DK	DK	DK	DK	DK	DK	DK

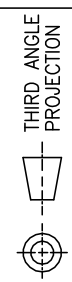
NOTES:
1. Figures in brackets are the minimum additional joist sizes to be used when doubling.
2. Parametric dimensions refer to calculation sheet 5 to 40 of this drawing.

SCALE: 1:10
DRAWING No. VM00 6013
MID-FLOOR DETAILS
LOAD CASE 4
SHEET 4 OF 4 SHEETS

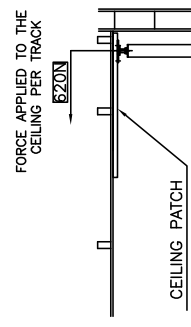
AWOSSEX ©
BESSEY METAL EQUIP. CO. LTD
BESSEY LANE, ROUSSET, HANTS, RG20 1JH, UK
T: 01256 353113
F: 01256 353114
WWW.AWOSSEX.CO.UK

ALL DIMENSIONS IN mm UNLESS OTHERWISE SPECIFIED
TOLERANCES: ANGULAR ±0.2
LINEAR ±0.15
X: ±0.15
Y: ±0.15
Z: ±0.15
H: ±0.15
D: ±0.15
R: ±0.15
S: ±0.15
T: ±0.15
U: ±0.15
V: ±0.15

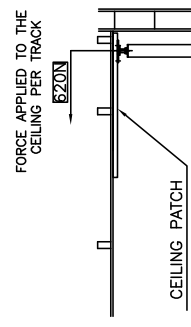
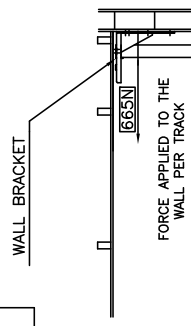
DRAWING No. VM00 6013
MID-FLOOR DETAILS
LOAD CASE 4
SHEET 4 OF 4 SHEETS



DO NOT SCALE
IF IN DOUBT - ASK



DIMENSION		LIFT MODEL	
VM30/VM50	VM31/51	VM36/56	
SPAN	746	896	946

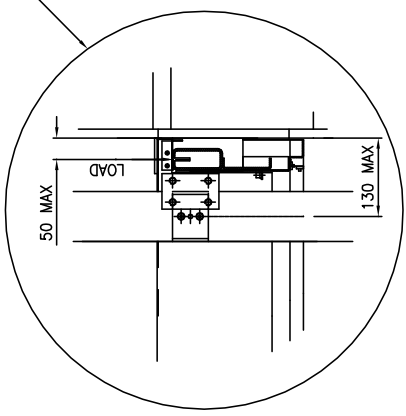


DETAILS OF THE LOADINGS APPLIED TO THE STRUCTURE OF A HOUSE BY A VM LIFT. THE FORCES SHOWN ARE THE MAXIMUM AT EACH POINT & WILL VARY DEPENDING ON THE POSITION OF THE LIFT.

FIGURE 1 VERTICAL LOADINGS AT MIDFLOOR

FIGURE 2 HORIZONTAL LOADINGS WHEN USING A WALL BRACKET TO SECURE THE TOP TRACKS

FIGURE 3 HORIZONTAL LOADINGS WHEN USING A CEILING PATCH TO SECURE THE TOP TRACKS



C	STRUCTURAL BEAM REPOSITIONED ECO 0729	EAS 23.9.98
B	DIMENSIONS ADDED & CHANGED ECO 0634	W.P 2.4.97
A	PRODUCTION ISSUE ECO 0620	MH 14.1.97
ISS	ALTERATION	INTLS & DATE

FORCE APPLIED TO THE FLOOR PER TRACK

FORCE APPLIED TO THE FLOOR PER TRACK

FORCE APPLIED TO THE MIDFLOOR BY THE STRUCTURAL TUBE

FIGURE 3

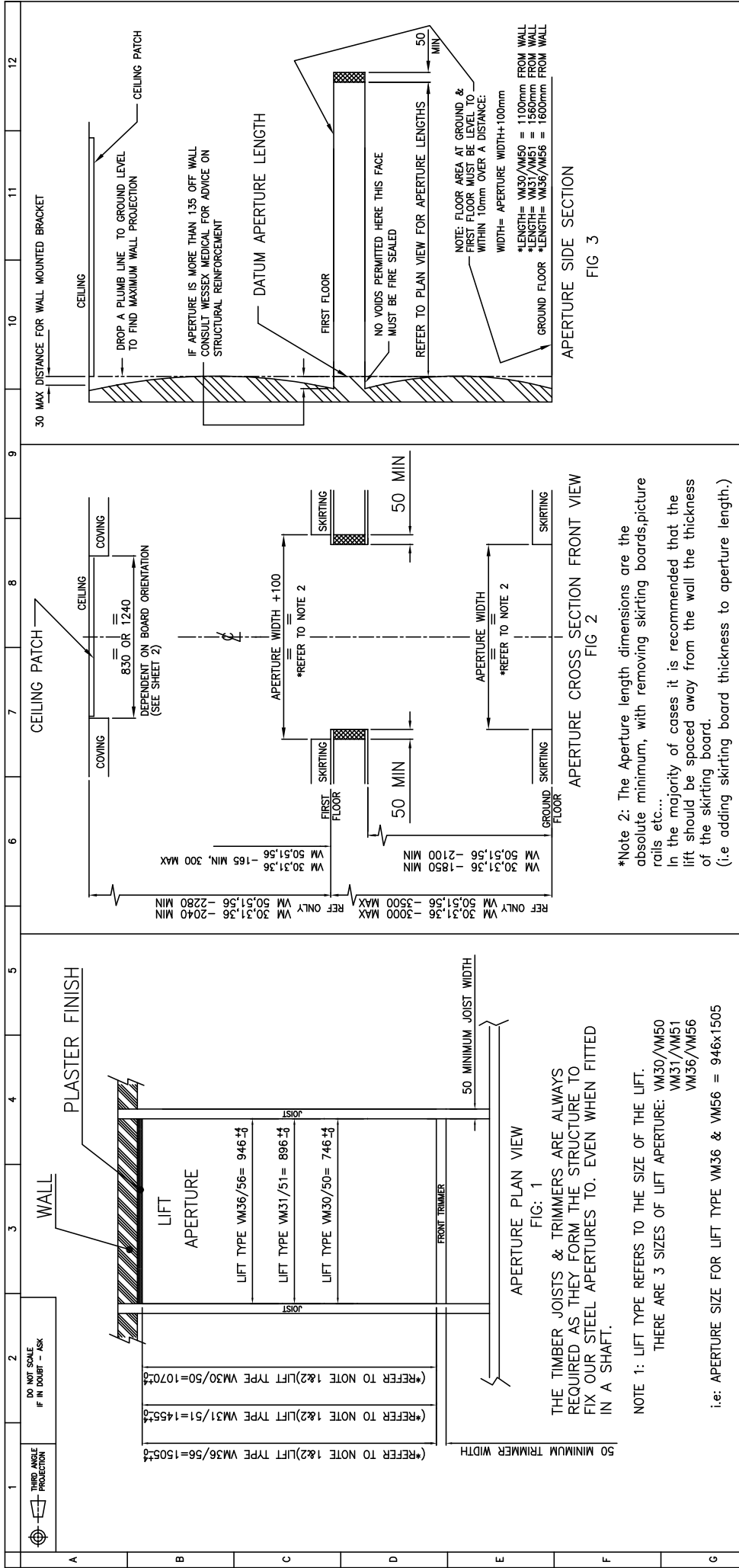
FIGURE 2

FIGURE 1

SCALE		NTS		ALL DIMENSIONS IN mm UNLESS OTHERWISE STATED AND DRAWN TO BS 308		MATERIAL B.S. SPEC:		DESCRIPTION	
DRN	M HUNT	DATE	14.1.97	TOLERANCES:	ANGULAR	±0.5°	N/A	N/A	DRAWING No.
CHKD		DATE		UNLESS OTHERWISE STATED	X	X.X	N/A	N/A	VM30 9001
APPD		DATE		THREAD ISO COARSE	±1.0	±0.25 ±0.13	FINISH:	N/A	STRUCTURAL LOADINGS
									SHEET 1 OF 1 SHITS

Wessex
WESSEX MEDICAL EQUIP. CO. LTD
BUDDS LANE, ROMSEY,
HAMPSHIRE. SO51 0HA

THIS DRAWING IS THE PROPERTY OF WESSEX MEDICAL EQUIP. CO. LTD. AND MAY NOT BE PUBLISHED, REPRODUCED OR USED FOR ANY PURPOSE WITHOUT THE EXPRESS PERMISSION OF THE OWNERS IN WRITING



IMPORTANT: READ THESE NOTES BEFORE CUTTING APERTURE

ALL INSTALLATIONS (INC LIFTS WITHIN SHAFTS) MUST HAVE TIMBER TRIMMERS ON THREE SIDES AS INDICATED. THE TIMBER SURROUND SHOULD BE A MIN 50 WIDE AND INSET INTO A LOAD BEARING WALL AND FIXED TO JOISTS WITH HANGER BRACKETS

NOTE: REFER TO WESSEX MEDICAL DRAWINGS VM00 6012 & VM30 9001 TO CHECK THAT JOISTS/WALL ARE OF ADEQUATE STRENGTH TO SUPPORT VM LOADINGS

WHEN SETTING OUT ENSURE THAT ALL DIMENSIONS ARE TAKEN FROM THE FINISHED INTERIOR FACE INCLUDING AN ALLOWANCE FOR PLASTER, COVING, SKIRTING BOARDS AND DADO RAILS ETC

IF THE APERTURE IS MOVED 25mm OR MORE AWAY FROM THE WALL, (GIVING 100mm UPSTAIRS FROM THE BACK OF THE TRACKS TO THE WALL (150mm ALLOWABLE DOWNSTAIRS)) THEN FALSE WALL ASSEMBLIES WILL BE REQUIRED.

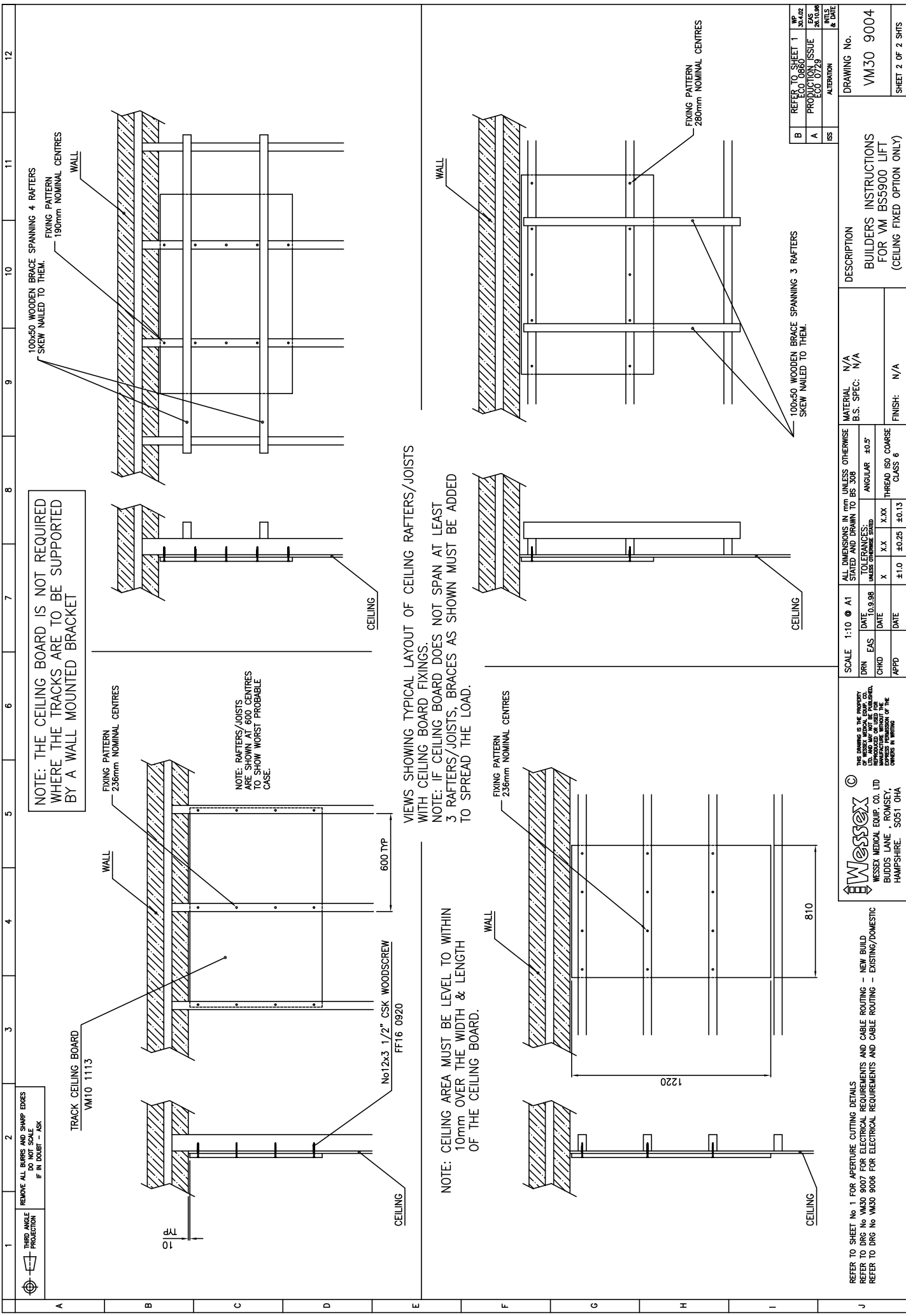
ON COMPLETION OF WORKS THE APERTURE MUST BE LEFT IN A SAFE CONDITION IE, THE HOLE TO BE COVERED AND/OR A BARRIER AND WARNING NOTICE PROVIDED

REFER TO SHEET 2 OF 2 FOR CEILING PATCH DETAILS
REFER TO DRG No VM30 9006 FOR ELECTRICAL REQUIREMENTS AND CABLE ROUTING
REFER TO DRG No VM30 9001 FOR STRUCTURAL LOADING DETAILS

*Note 2: The Aperture length dimensions are the absolute minimum, with removing skirting boards, picture rails etc...
In the majority of cases it is recommended that the lift should be spaced away from the wall the thickness of the skirting board.
(i.e adding skirting board thickness to aperture length.)

B	Layout of drawing changed (No aperture size changes)	WP	ECO 0850	21.12.09
A	PRODUCTION ISSUE	WP	ECO 0770	21.12.09
ISS	ALTERATION	DATE		

DRAWING No.		VM30 9004	
DESCRIPTION		BUILDERS INSTRUCTIONS FOR VM BS5900 LIFTS (APERTURE CUT-OUT DETAIL)	
SCALE	1:10 @ A1	MATERIAL	N/A
DRN	WP	B.S. SPEC:	N/A
CHKD	DATE 26.8.09	TOLERANCES:	ANGULAR ±0.5°
APPD	DATE	X	X.X
		X	X.X
		X	X.X
		THREAD ISO COARSE	CLASS 6
		±1.0	±0.25 ±0.13
		±1.0	±0.13
		±1.0	±0.13
<p>THIS DRAWING IS THE PROPERTY OF WESSEX MEDICAL EQUIP. CO. LTD. IT IS NOT TO BE REPRODUCED OR USED FOR ANY OTHER PROJECT WITHOUT THE EXPRESS PERMISSION OF THE COMPANY IN WRITING.</p> <p>Wessex WESSEX MEDICAL EQUIP. CO. LTD BUDDS LANE · ROMSEY, HAMPSHIRE · SO51 0HA</p>			



1	THIRD ANGLE PROJECTION
2	REMOVE ALL BURRS AND SHARP EDGES IF IN DOUBT - ASK

NOTE: THE CEILING BOARD IS NOT REQUIRED WHERE THE TRACKS ARE TO BE SUPPORTED BY A WALL MOUNTED BRACKET

NOTE: RAFTERS/JOISTS ARE SHOWN AT 600 CENTRES TO SHOW WORST PROBABLE CASE.

NOTE: CEILING AREA MUST BE LEVEL TO WITHIN 10mm OVER THE WIDTH & LENGTH OF THE CEILING BOARD.

NOTES SHOWING TYPICAL LAYOUT OF CEILING RAFTERS/JOISTS WITH CEILING BOARD FIXINGS.
NOTE: IF CEILING BOARD DOES NOT SPAN AT LEAST 3 RAFTERS/JOISTS, BRACES AS SHOWN MUST BE ADDED TO SPREAD THE LOAD.

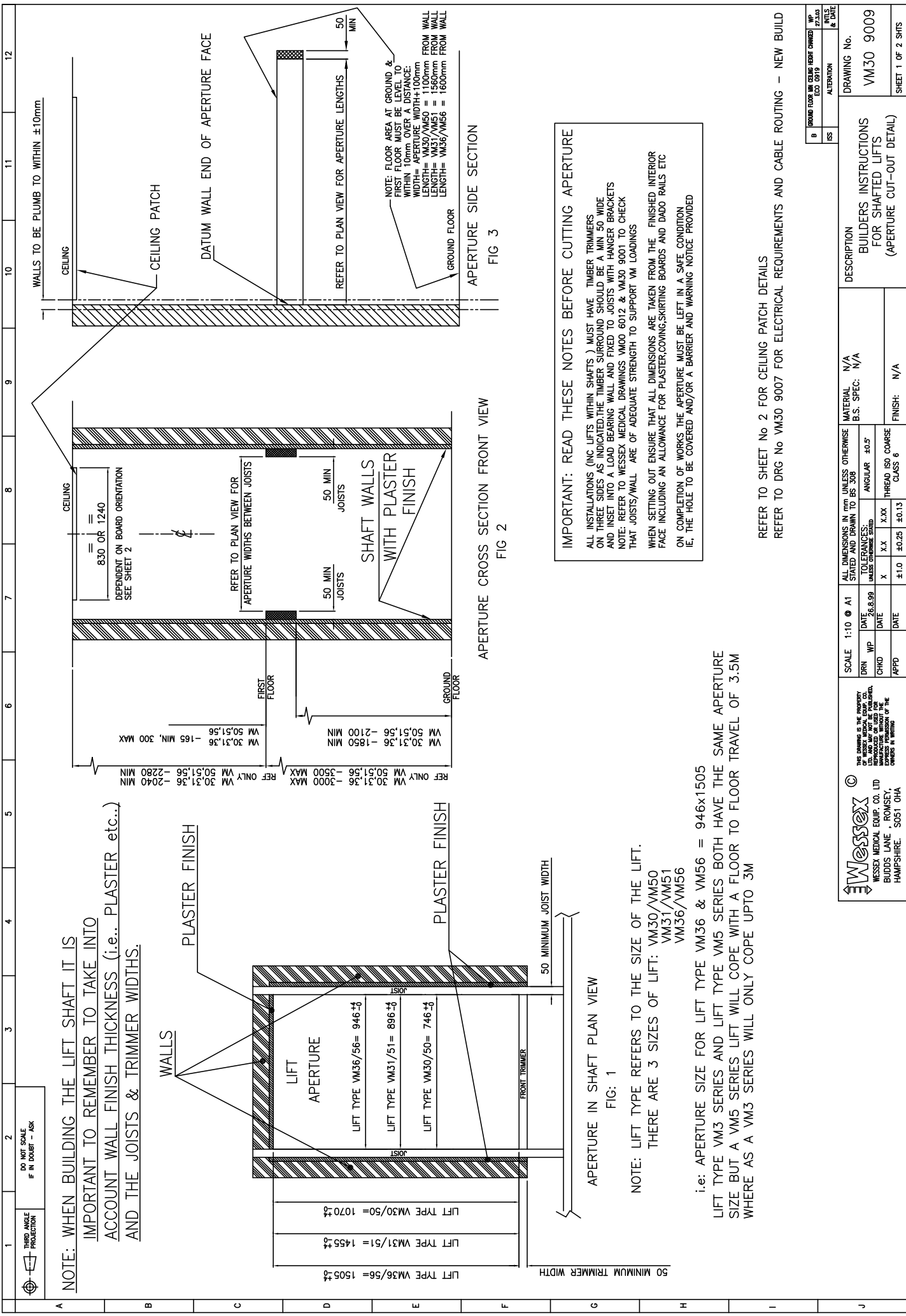
SCALE	1:10 @ A1	ALL DIMENSIONS IN mm UNLESS OTHERWISE STATED AND DRAWN TO BS 308
DRN	EAS	TOLERANCES: ANGULAR ±0.5°
CHKD	DATE	X X X X.XX X.XX X.XX
APPD	DATE	±1.0 ±0.25 ±0.13 CLASS 6

REFER TO SHEET No 1 FOR APERTURE CUTTING DETAILS
REFER TO DRG No VM30 9007 FOR ELECTRICAL REQUIREMENTS AND CABLE ROUTING - NEW BUILD
REFER TO DRG No VM30 9006 FOR ELECTRICAL REQUIREMENTS AND CABLE ROUTING - EXISTING/DOMESTIC

THE DRAWING IS THE PROPERTY OF WESSEX MEDICAL EQUIP. CO. LTD. IT IS TO BE USED FOR THE PROJECT AND NOT TO BE REPRODUCED OR USED FOR ANY OTHER PROJECT WITHOUT THE EXPRESS PERMISSION OF THE COMPANY.

Wessex	WESSEX MEDICAL EQUIP. CO. LTD BUDDS LANE · ROMSEY, HAMPSHIRE · SO51 0HA
DESCRIPTION	BUILDERS INSTRUCTIONS FOR VM BS3900 LIFT (CEILING FIXED OPTION ONLY)
MATERIAL	N/A
B.S. SPEC:	N/A
FINISH:	N/A
DRAWING No.	VM30 9004
SHEET 2 OF 2 SHTS	

REFER TO SHEET 1	VP
ECO DIBSD	SK/02
PROJECT ISSUE	24.10.98
DATE	10.09.98
ISS	ALTERATION
MIS	DATE



NOTE: WHEN BUILDING THE LIFT SHAFT IT IS IMPORTANT TO REMEMBER TO TAKE INTO ACCOUNT WALL FINISH THICKNESS (i.e., PLASTER etc..) AND THE JOISTS & TRIMMER WIDTHS.

PLASTER FINISH

PLASTER FINISH

APERTURE IN SHAFT PLAN VIEW

FIG: 1

NOTE: LIFT TYPE REFERS TO THE SIZE OF THE LIFT.

THERE ARE 3 SIZES OF LIFT: VM30/VM50
VM31/VM51
VM36/VM56

i.e: APERTURE SIZE FOR LIFT TYPE VM36 & VM56 = 946x1505
LIFT TYPE VM3 SERIES AND LIFT TYPE VM5 SERIES BOTH HAVE THE SAME APERTURE SIZE BUT A VM5 SERIES LIFT WILL COPE WITH A FLOOR TO FLOOR TRAVEL OF 3.5M WHERE AS A VM3 SERIES WILL ONLY COPE UPTO 3M

IMPORTANT: READ THESE NOTES BEFORE CUTTING APERTURE
ALL INSTALLATIONS (INC LIFTS WITHIN SHAFTS) MUST HAVE TIMBER TRIMMERS ON THREE SIDES AS INDICATED. THE TIMBER SURROUND SHOULD BE A MIN 50 WIDE AND INSET INTO A LOAD BEARING WALL AND FIXED TO JOISTS WITH HANGER BRACKETS. NOTE: REFER TO MESSEX MEDICAL DRAWINGS VM00 6012 & VM30 9001 TO CHECK THAT JOISTS/WALL ARE OF ADEQUATE STRENGTH TO SUPPORT VM LOADINGS
WHEN SETTING OUT ENSURE THAT ALL DIMENSIONS ARE TAKEN FROM THE FINISHED INTERIOR FACE INCLUDING AN ALLOWANCE FOR PLASTER, SKIRTING BOARDS AND DADO RAILS ETC
ON COMPLETION OF WORKS THE APERTURE MUST BE LEFT IN A SAFE CONDITION
IE, THE HOLE TO BE COVERED AND/OR A BARRIER AND WARNING NOTICE PROVIDED

APERTURE CROSS SECTION FRONT VIEW

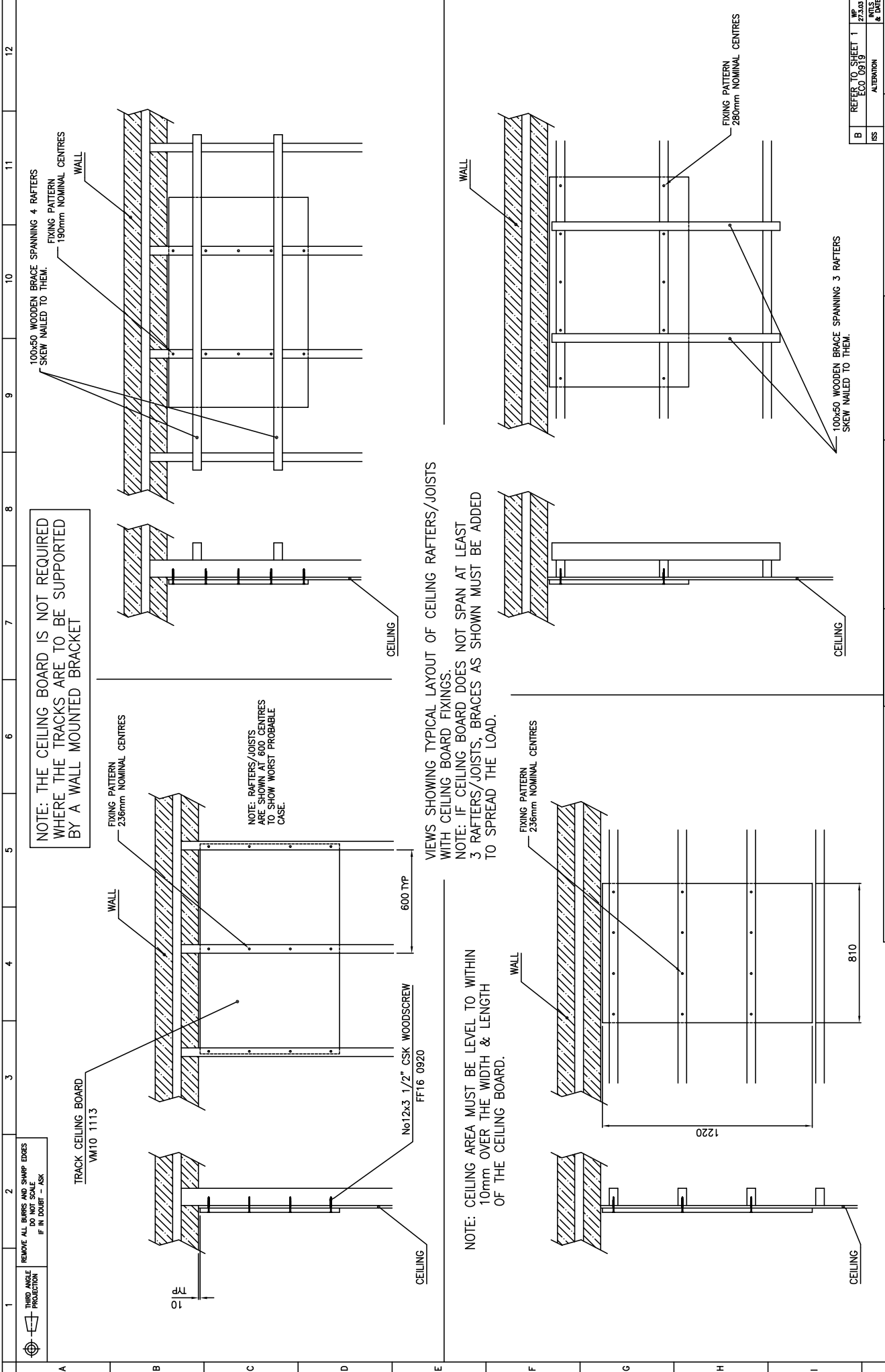
FIG 2

APERTURE SIDE SECTION

FIG 3

REFER TO SHEET No 2 FOR CEILING PATCH DETAILS
REFER TO DRG No VM30 9007 FOR ELECTRICAL REQUIREMENTS AND CABLE ROUTING - NEW BUILD

<p>THE DRAWING IS THE PROPERTY OF MESSEX MEDICAL EQUIP. CO. LTD. IT IS NOT TO BE REPRODUCED OR USED FOR ANY OTHER PURPOSE WITHOUT THE EXPRESS PERMISSION OF THE COMPANY IN WRITING.</p> <p>BUDDS LANE · ROMSEY, HAMPSHIRE. SO51 0HA</p>		<p>SCALE 1:10 @ A1</p> <table border="1"> <tr> <th>DRN</th> <th>WP</th> <th>DATE</th> </tr> <tr> <td></td> <td></td> <td>26.08.99</td> </tr> <tr> <th>CHKD</th> <th>DATE</th> <th>DATE</th> </tr> <tr> <td></td> <td></td> <td></td> </tr> <tr> <th>APPD</th> <th>DATE</th> <th>DATE</th> </tr> <tr> <td></td> <td></td> <td></td> </tr> </table>	DRN	WP	DATE			26.08.99	CHKD	DATE	DATE				APPD	DATE	DATE				<p>ALL DIMENSIONS IN mm UNLESS OTHERWISE STATED AND DRAWN TO BS 308</p> <table border="1"> <tr> <th>TOLERANCES UNLESS OTHERWISE STATED:</th> <th>ANGULAR</th> <th>±0.5°</th> </tr> <tr> <td>X</td> <td>X.X</td> <td>X.XX</td> </tr> <tr> <td>X.X</td> <td>X.XX</td> <td>X.XX</td> </tr> <tr> <td>±1.0</td> <td>±0.25</td> <td>±0.13</td> </tr> <tr> <td>CLASS 6</td> <td>CLASS 6</td> <td>CLASS 6</td> </tr> </table>	TOLERANCES UNLESS OTHERWISE STATED:	ANGULAR	±0.5°	X	X.X	X.XX	X.X	X.XX	X.XX	±1.0	±0.25	±0.13	CLASS 6	CLASS 6	CLASS 6	<p>DESCRIPTION</p> <p>BUILDERS INSTRUCTIONS FOR SHAFTED LIFTS (APERTURE CUT-OUT DETAIL)</p>	<p>DRAWING No.</p> <p>VM30 9009</p>
DRN	WP	DATE																																				
		26.08.99																																				
CHKD	DATE	DATE																																				
APPD	DATE	DATE																																				
TOLERANCES UNLESS OTHERWISE STATED:	ANGULAR	±0.5°																																				
X	X.X	X.XX																																				
X.X	X.XX	X.XX																																				
±1.0	±0.25	±0.13																																				
CLASS 6	CLASS 6	CLASS 6																																				
<p>DO NOT SCALE IF IN DOUBT - ASK</p> <p>THIRD ANGLE PROJECTION</p>		<p>ALTERATION</p> <p>DATE</p>		<p>REVISIONS</p> <p>DATE</p>																																		

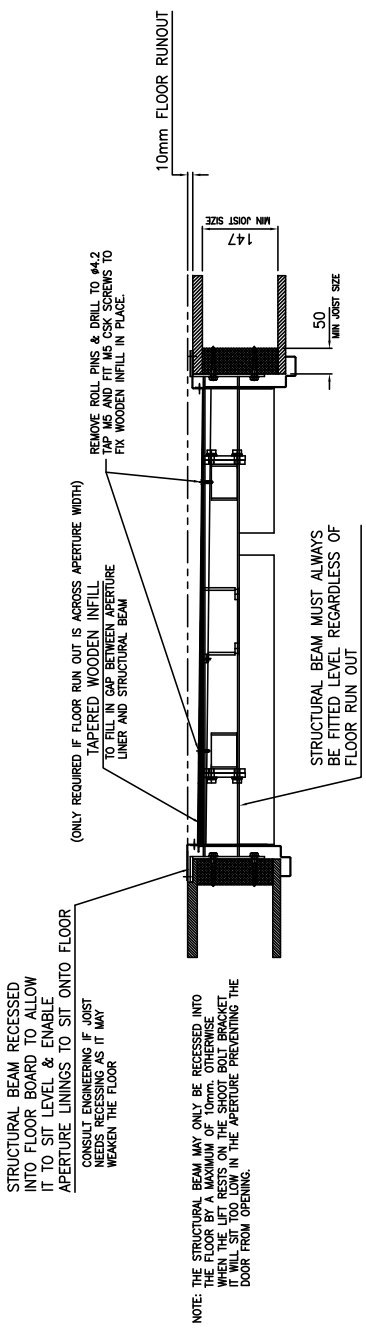


<p>REMOVE ALL BURRS AND SHARP EDGES IF IN DOUBT - ASK</p>		<p>THIRD ANGLE PROJECTION</p>		<p>SCALE 1:10 @ A1</p>		<p>ALL DIMENSIONS IN mm UNLESS OTHERWISE STATED AND DRAWN TO BS 308</p>		<p>DESCRIPTION</p>			
1	2	3	4	5	6	7	8	9	10	11	12
<p>NOTE: THE CEILING BOARD IS NOT REQUIRED WHERE THE TRACKS ARE TO BE SUPPORTED BY A WALL MOUNTED BRACKET</p>		<p>NOTE: RAFTERS/JOISTS ARE SHOWN AT 600 CENTRES TO SHOW WORST PROBABLE CASE.</p>		<p>NOTE: CEILING AREA MUST BE LEVEL TO WITHIN 10mm OVER THE WIDTH & LENGTH OF THE CEILING BOARD.</p>		<p>VIEWES SHOWING TYPICAL LAYOUT OF CEILING RAFTERS/JOISTS WITH CEILING BOARD FIXINGS. NOTE: IF CEILING BOARD DOES NOT SPAN AT LEAST 3 RAFTERS/JOISTS, BRACES AS SHOWN MUST BE ADDED TO SPREAD THE LOAD.</p>		<p>100x50 WOODEN BRACE SPANNING 4 RAFTERS SCREW NAILED TO THEM. FIXING PATTERN 190mm NOMINAL CENTRES WALL</p>		<p>100x50 WOODEN BRACE SPANNING 3 RAFTERS SCREW NAILED TO THEM. FIXING PATTERN 280mm NOMINAL CENTRES WALL</p>	
<p>TRACK CEILING BOARD VM10 1113</p>		<p>No12x3 1/2" CSK WOODSCREW FF16 0920</p>		<p>600 TYP</p>		<p>810</p>		<p>1220</p>		<p>100x50 WOODEN BRACE SPANNING 3 RAFTERS SCREW NAILED TO THEM.</p>	
<p>WALL</p>		<p>WALL</p>		<p>WALL</p>		<p>WALL</p>		<p>WALL</p>		<p>WALL</p>	
<p>CEILING</p>		<p>CEILING</p>		<p>CEILING</p>		<p>CEILING</p>		<p>CEILING</p>		<p>CEILING</p>	
<p>DRN EAS</p>		<p>DATE 10.09.98</p>		<p>DATE</p>		<p>DATE</p>		<p>DATE</p>		<p>DATE</p>	
<p>CHKD</p>		<p>DATE</p>		<p>DATE</p>		<p>DATE</p>		<p>DATE</p>		<p>DATE</p>	
<p>APPD</p>		<p>DATE</p>		<p>DATE</p>		<p>DATE</p>		<p>DATE</p>		<p>DATE</p>	
<p>TOLERANCES UNLESS OTHERWISE STATED:</p>		<p>X ±1.0</p>		<p>X.X ±0.25</p>		<p>X.XX ±0.13</p>		<p>ANGULAR ±0.5°</p>		<p>THREAD ISO COARSE CLASS 6</p>	
<p>MATERIAL N/A</p>		<p>B.S. SPEC: N/A</p>		<p>FINISH: N/A</p>		<p>DESCRIPTION</p>		<p>BUILDERS INSTRUCTIONS FOR VM BS3900 LIFT (CEILING FIXED OPTION ONLY)</p>		<p>DRAWING No. VM30 9009</p>	
<p>REFER TO SHEET 1 FOR APERTURE CUTTING DETAILS REFER TO DRG No VM30 9007 FOR ELECTRICAL REQUIREMENTS AND CABLE ROUTING - NEW BUILD REFER TO DRG No VM30 9006 FOR ELECTRICAL REQUIREMENTS AND CABLE ROUTING - EXISTING/DOMESTIC</p>		<p>THE DRAWING IS THE PROPERTY OF WESSEX MEDICAL EQUIP. CO. LTD AND IS NOT TO BE REPRODUCED OR USED FOR ANY OTHER PROJECT WITHOUT THE EXPRESS PERMISSION OF THE COMPANY.</p>		<p>Wessex WESSEX MEDICAL EQUIP. CO. LTD BUDDS LANE · ROMSEY, HAMPSHIRE · SO51 0HA</p>		<p>REFERS TO SHEET 1 ECO 0919</p>		<p>DATE 27.7.03</p>		<p>DATE</p>	

THIRD ANGLE PROJECTION
 REMOVE ALL BURRS AND SHARP EDGES
 IF IN DOUBT - ASK

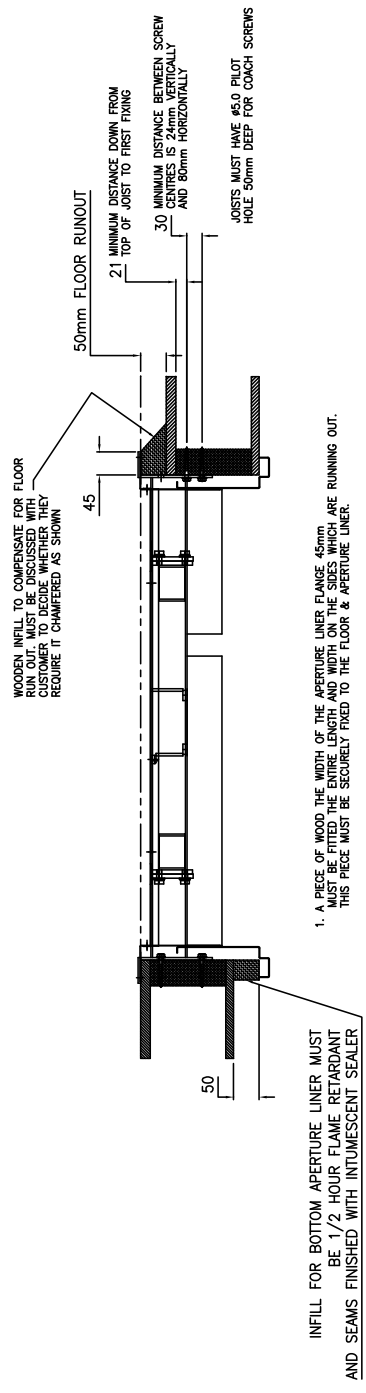
FLOOR RUN OUTS 10mm AND BELOW

FLOOR RUN OUTS OF 10mm AND BELOW
 IN ANY DIRECTION CAN BE ACCOMMODATED &
 THE APERTURE LININGS DO NOT HAVE TO BE
 LEVELLED.
 THE STRUCTURAL BEAM MUST ALWAYS BE FITTED
 LEVEL.
 A 10mm FLOOR RUN OUT IS SHOWN BELOW.



FLOOR RUN OUTS 11mm AND ABOVE

FLOOR RUN OUTS OF 11mm AND ABOVE
 THE APERTURE LININGS MUST BE LEVELLED
 THE STRUCTURAL BEAM MUST ALWAYS BE FITTED
 LEVEL.
 A 50mm FLOOR RUN OUT IS SHOWN BELOW.



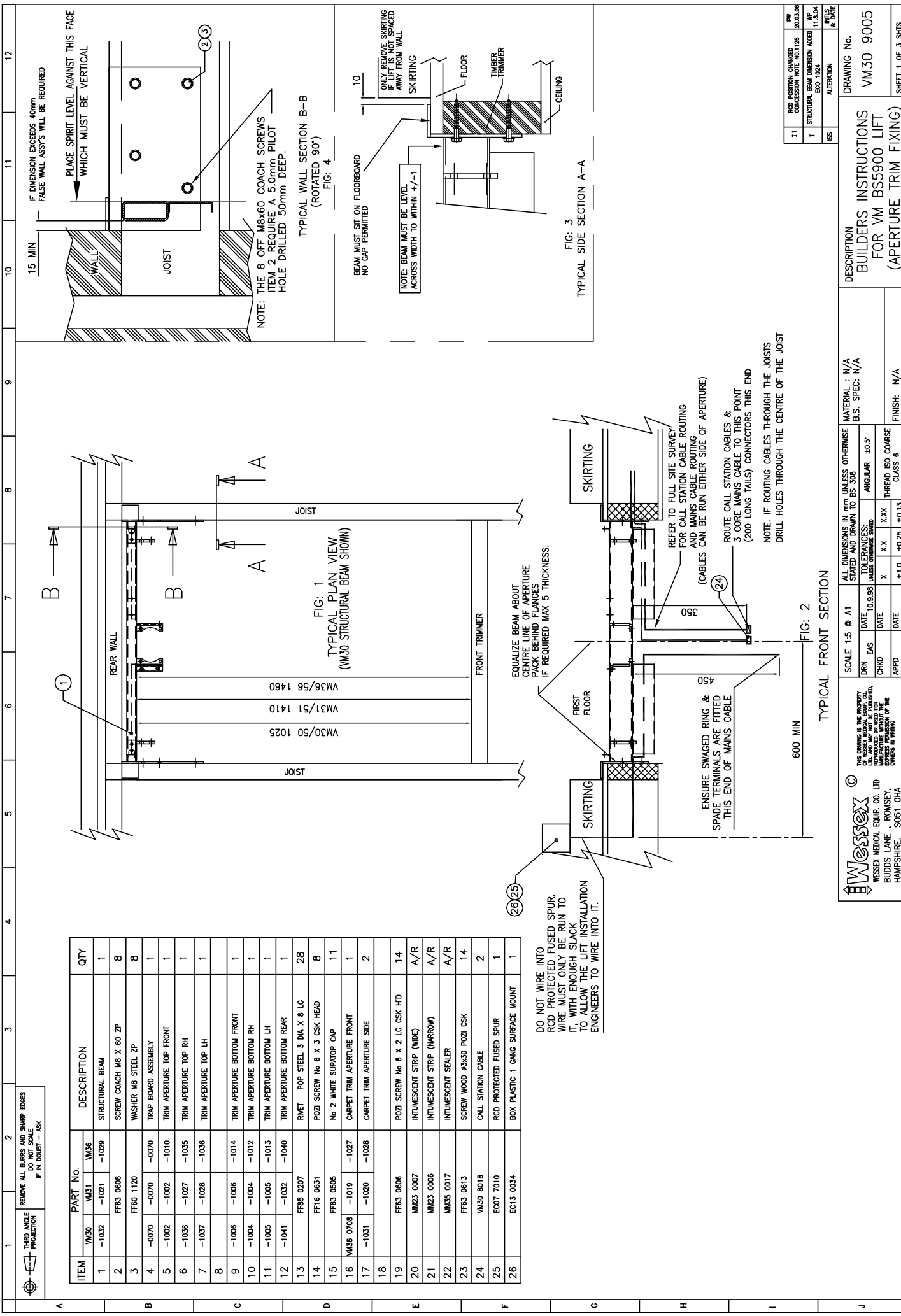
1. A PIECE OF WOOD THE WIDTH OF THE APERTURE LINER FLANGE 45mm MUST BE FITTED THE ENTIRE LENGTH AND WIDTH ON THE SIDES WHICH ARE RUNNING OUT. THIS PIECE MUST BE SECURELY FIXED TO THE FLOOR & APERTURE LINER.
2. THE STRUCTURAL BEAM FIXING PLATE MAY NEED RE-DRILLING TO ALLOW FININGS TO PICKUP ON THE JOIST IF THE FLOOR RUN OUT IS EXCESSIVE.
3. A DISCLAIMER IS REQUIRED FROM THE CUSTOMER AS A TRIPPING HAZARD IS CREATED.

A	PRODUCTION ISSUE	12.5.99
IS	ALTERATION	
DRAWING No.		VM30 9008
DESCRIPTION		BUILDERS INSTRUCTIONS FOR FLOOR RUN OUT
MATERIAL		N/A
B.S. SPEC:		N/A
TOLERANCES:		ANGULAR ±0.5°
X X X		X.XX
THREAD ISO COARSE		CLASS 6
FINISH:		N/A
SHEET 1 OF 1 SPTS		

Wesssex
 THE DRAWING IS THE PROPERTY
 OF WESSSEX MEDICAL EQUIP. CO. LTD
 UNLESS OTHERWISE STATED
 REPRODUCTION OF THIS DRAWING
 WITHOUT THE EXPRESS PERMISSION OF THE
 OFFICE IN WRITING

WESSSEX MEDICAL EQUIP. CO. LTD
 BUDDERS LANE, ROMSEY,
 HAMPSHIRE, SO51 0HA

SCALE: 1:5 @ A1	ALL DIMENSIONS IN mm UNLESS OTHERWISE STATED AND DRAWN TO BS 308
DRN DATE: 30.03.99	DATE: X.XX
CHKD DATE: X.XX	DATE: X.XX
APFD DATE: X.XX	DATE: X.XX
DATE: ±1.0	DATE: ±0.25
DATE: ±0.13	DATE: ±0.13



ITEM	PART No.	DESCRIPTION	QTY
1	VM30	STRUCTURAL BEAM	1
2	FF63 0608	SCREW COACH M8 X 60 ZP	8
3	FF60 1120	WASHER M8 STEEL ZP	8
4	-0070	TRAP BOARD ASSEMBLY	1
5	-1002	TRIM APERTURE TOP FRONT	1
6	-1036	TRIM APERTURE TOP RH	1
7	-1037	TRIM APERTURE TOP LH	1
8	-1006	TRIM APERTURE BOTTOM FRONT	1
9	-1004	TRIM APERTURE BOTTOM RH	1
10	-1005	TRIM APERTURE BOTTOM LH	1
11	-1041	TRIM APERTURE BOTTOM REAR	1
12	FF85 0207	RIVET POP STEEL 3 DIA X 8 LG	28
13	FF16 0631	POZI SCREW No 8 X 3 CSK HEAD	8
14	FF63 0505	No 2 WHITE SUPADOP CAP	11
15	VM36 0708	CARPET TRIM APERTURE FRONT	1
16	-1031	CARPET TRIM APERTURE SIDE	2
17	FF63 0608	POZI SCREW No 8 X 2 LG CSK HD	14
18	MM23 0007	INTUMESCENT STRIP (WIDE)	A/R
19	MM23 0006	INTUMESCENT STRIP (NARROW)	A/R
20	MM35 0017	INTUMESCENT SEALER	A/R
21	FF63 0613	SCREW WOOD #3x30 POZI CSK	14
22	VM30 8018	CALL STATION CABLE	2
23	EC07 7010	RCD PROTECTED FUSED SPUR	1
24	EC13 0034	BOX PLASTIC 1 GANG SURFACE MOUNT	1

DO NOT WIRE INTO RCD PROTECTED FUSED SPUR. WIRE MUST ONLY BE RUN TO IT, WITH ENOUGH SLACK TO ALLOW THE LIFT INSTALLATION ENGINEERS TO WIRE INTO IT.

11	REV	REVISION	DATE
1	STRUCTURAL BEAM DIMENSION ADDED	11.8.04	20.03.08
	ECO 1024		
	ALTERATION		
	DATE		

DRAWING No. VM30 9005
 BUILDERS INSTRUCTIONS FOR VM BS5900 LIFT (APERTURE TRIM FIXING)

DESCRIPTION: BUILDERS INSTRUCTIONS FOR VM BS5900 LIFT (APERTURE TRIM FIXING)

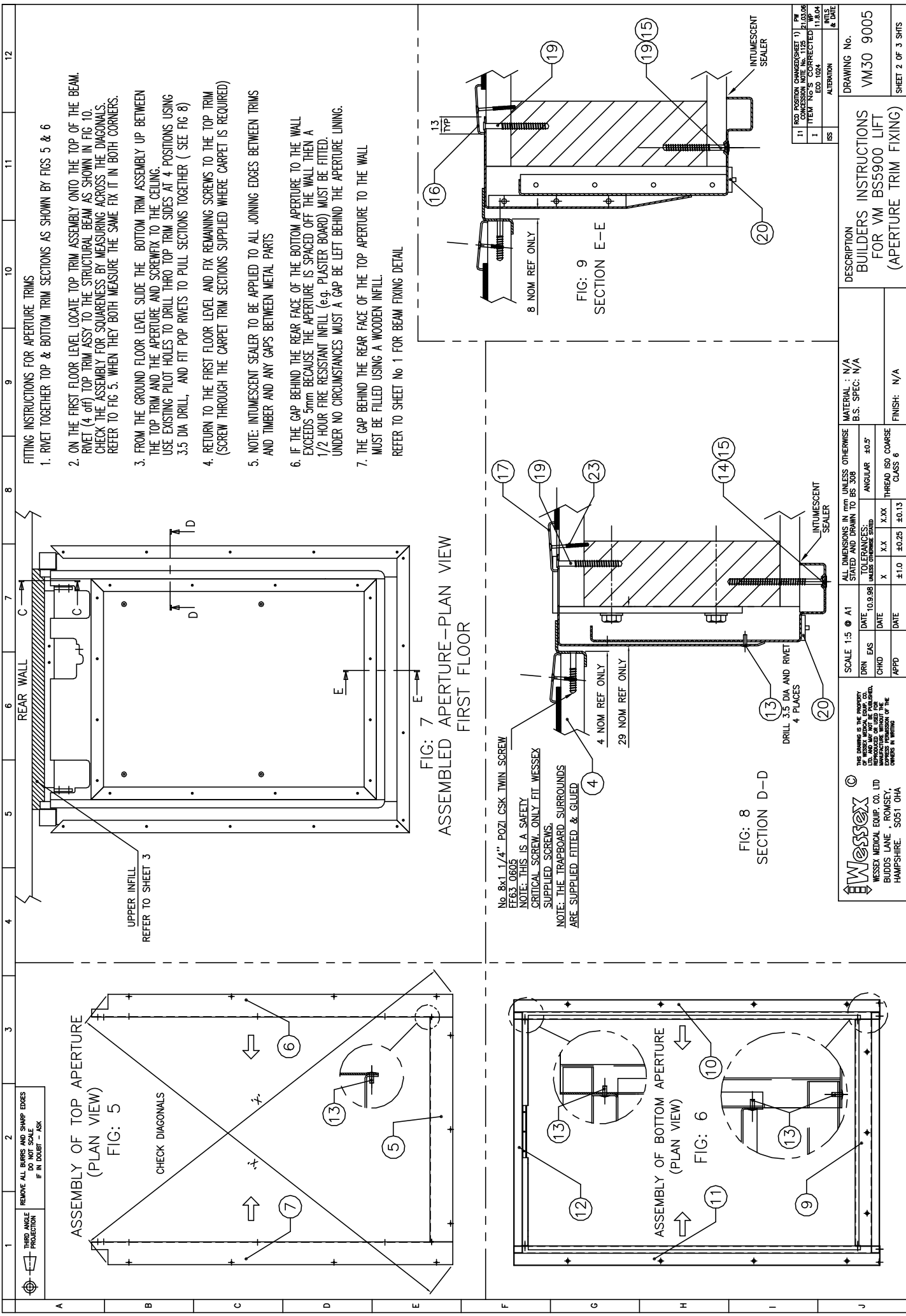
SCALE: 1:5 @ A1
 ALL DIMENSIONS IN mm UNLESS OTHERWISE STATED AND DRAWN TO BS 308
 TOLERANCES: ANGULAR ±0.5°
 UNLESS OTHERWISE SPECIFIED

DRN	EAS	DATE	CHKD	DATE	APPD	DATE
		10.9.98				

FINISH: N/A

THE DRAWING IS THE PROPERTY OF WESSEX MEDICAL EQUIP. CO. LTD. IT IS TO BE USED FOR THE PROJECT AND NOT REPRODUCED OR COPIED IN ANY MANNER WITHOUT THE EXPRESS PERMISSION OF THE COMPANY.

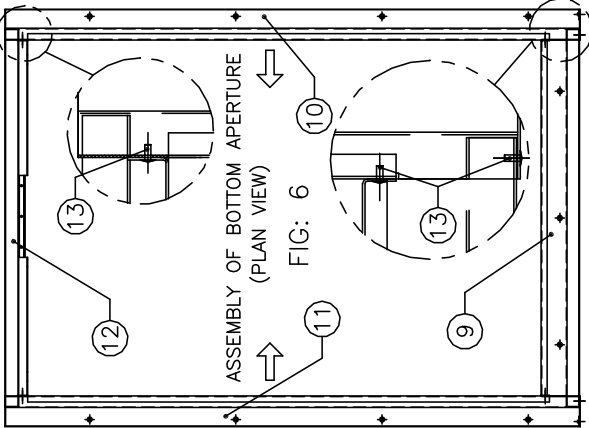
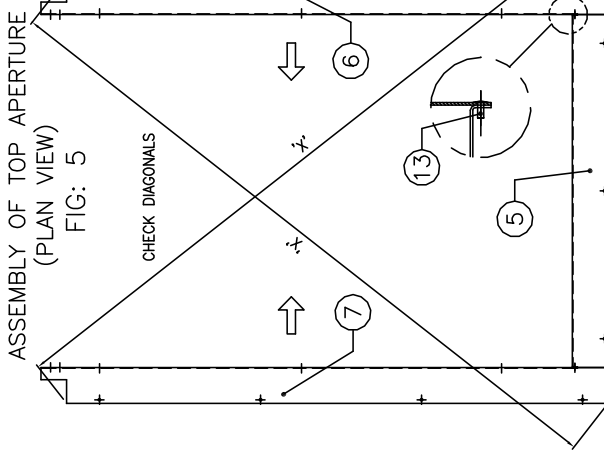
Wessex
 WESSEX MEDICAL EQUIP. CO. LTD
 BUDDS LANE · ROMSEY, HAMPSHIRE · SO51 0HA



THIRD ANGLE PROJECTION
REMOVE ALL BURRS AND SHARP EDGES
IF IN DOUBT - ASK

ASSEMBLY OF TOP APERTURE
(PLAN VIEW)
FIG: 5

CHECK DIAGONALS



ASSEMBLY OF BOTTOM APERTURE
(PLAN VIEW)
FIG: 6

FIG: 7
ASSEMBLED APERTURE-PLAN VIEW
FIRST FLOOR

No. 8x1.1/4" POZIL CSK TWIN SCREW
EF63 0605
NOTE: THIS IS A SAFETY
CRITICAL SCREW ONLY FIT WESSEX
SUPPLIED SCREWS.
NOTE: THE TRAPBOARD SURROUNDS
ARE SUPPLIED FITTED & GLUED

4 NOM REF ONLY
29 NOM REF ONLY

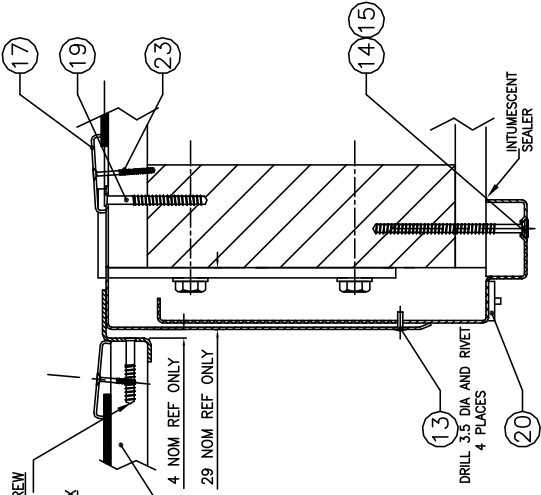
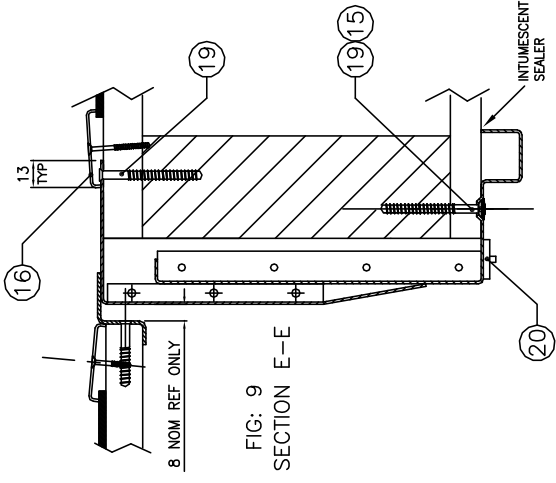


FIG: 8
SECTION D-D

FIG: 9
SECTION E-E



FITTING INSTRUCTIONS FOR APERTURE TRIMS

1. RIVET TOGETHER TOP & BOTTOM TRIM SECTIONS AS SHOWN BY FIGS 5 & 6
2. ON THE FIRST FLOOR LEVEL LOCATE TOP TRIM ASSEMBLY ONTO THE TOP OF THE BEAM. RIVET (4 off) TOP TRIM ASSY TO THE STRUCTURAL BEAM AS SHOWN IN FIG 10. CHECK THE ASSEMBLY FOR SQUARENESS BY MEASURING ACROSS THE DIAGONALS. REFER TO FIG 5. WHEN THEY BOTH MEASURE THE SAME FIX IT IN BOTH CORNERS.
3. FROM THE GROUND FLOOR LEVEL SLIDE THE BOTTOM TRIM ASSEMBLY UP BETWEEN THE TOP TRIM AND THE APERTURE AND SCREWFIX TO THE CEILING. USE EXISTING PILOT HOLES TO DRILL THRO TOP TRIM SIDES AT 4 POSITIONS USING 3.5 DIA DRILL, AND FIT POP RIVETS TO PULL SECTIONS TOGETHER (SEE FIG 8)
4. RETURN TO THE FIRST FLOOR LEVEL AND FIX REMAINING SCREWS TO THE TOP TRIM (SCREW THROUGH THE CARPET TRIM SECTIONS SUPPLIED WHERE CARPET IS REQUIRED)
5. NOTE: INTUMESCENT SEALER TO BE APPLIED TO ALL JOINING EDGES BETWEEN TRIMS AND TIMBER AND ANY GAPS BETWEEN METAL PARTS
6. IF THE GAP BEHIND THE REAR FACE OF THE BOTTOM APERTURE TO THE WALL EXCEEDS 3mm BECAUSE THE APERTURE IS SPACED OFF THE WALL THEN A 1/2 HOUR FIRE RESISTANT INFILL (e.g. PLASTER BOARD) MUST BE FITTED. UNDER NO CIRCUMSTANCES MUST A GAP BE LEFT BEHIND THE APERTURE LINING.
7. THE GAP BEHIND THE REAR FACE OF THE TOP APERTURE TO THE WALL MUST BE FILLED USING A WOODEN INFILL.

REFER TO SHEET No 1 FOR BEAM FIXING DETAIL

11	REV POSITION CHANGED SHEET 1	PW
10	CONSTRUCTION NOTE No. 1125	PL/LOD
9	REVISIONS	UNCORRECTED
8	1	TYPE No. 1004
7		11.8.04
6		INTS
5		ALTERATION
4		DATE

DRAWING No.
VM30 9005

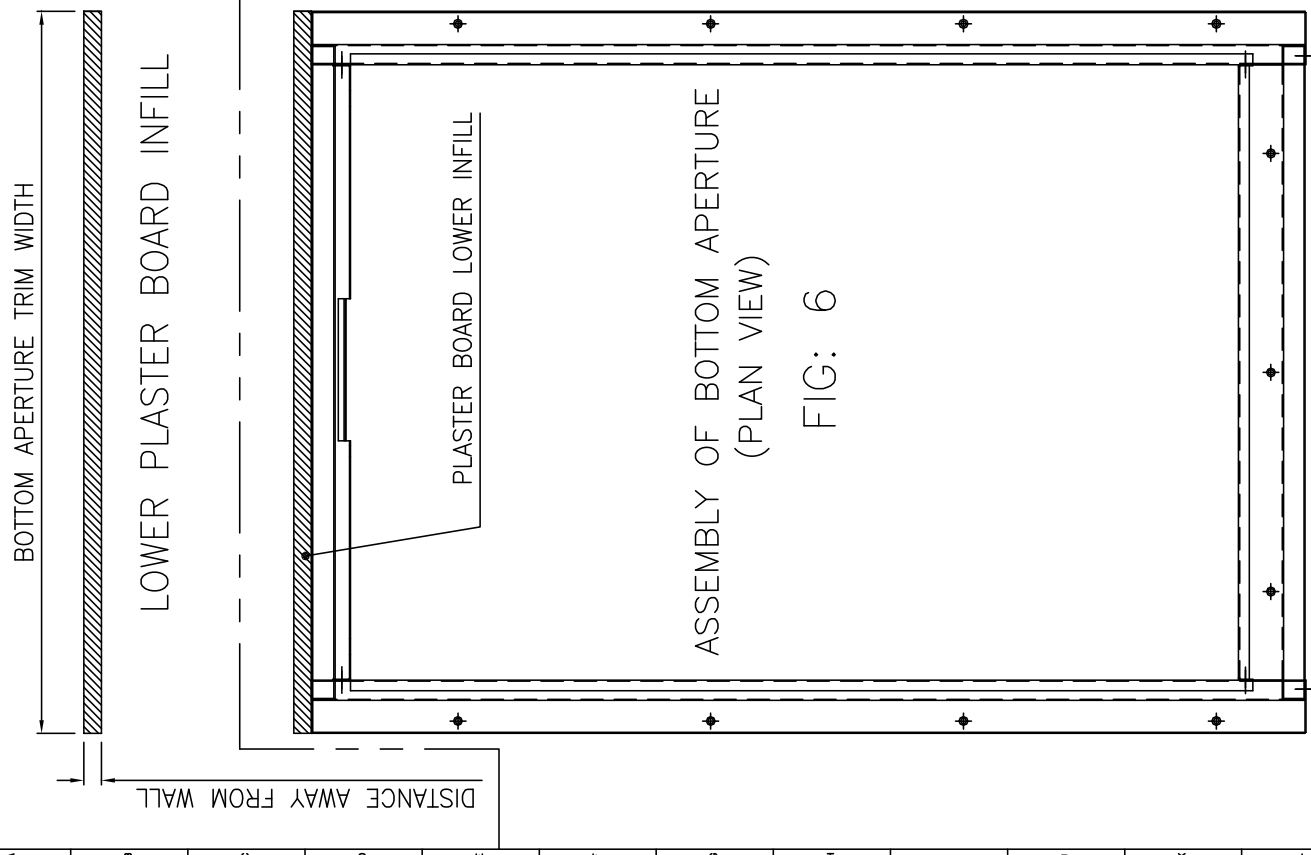
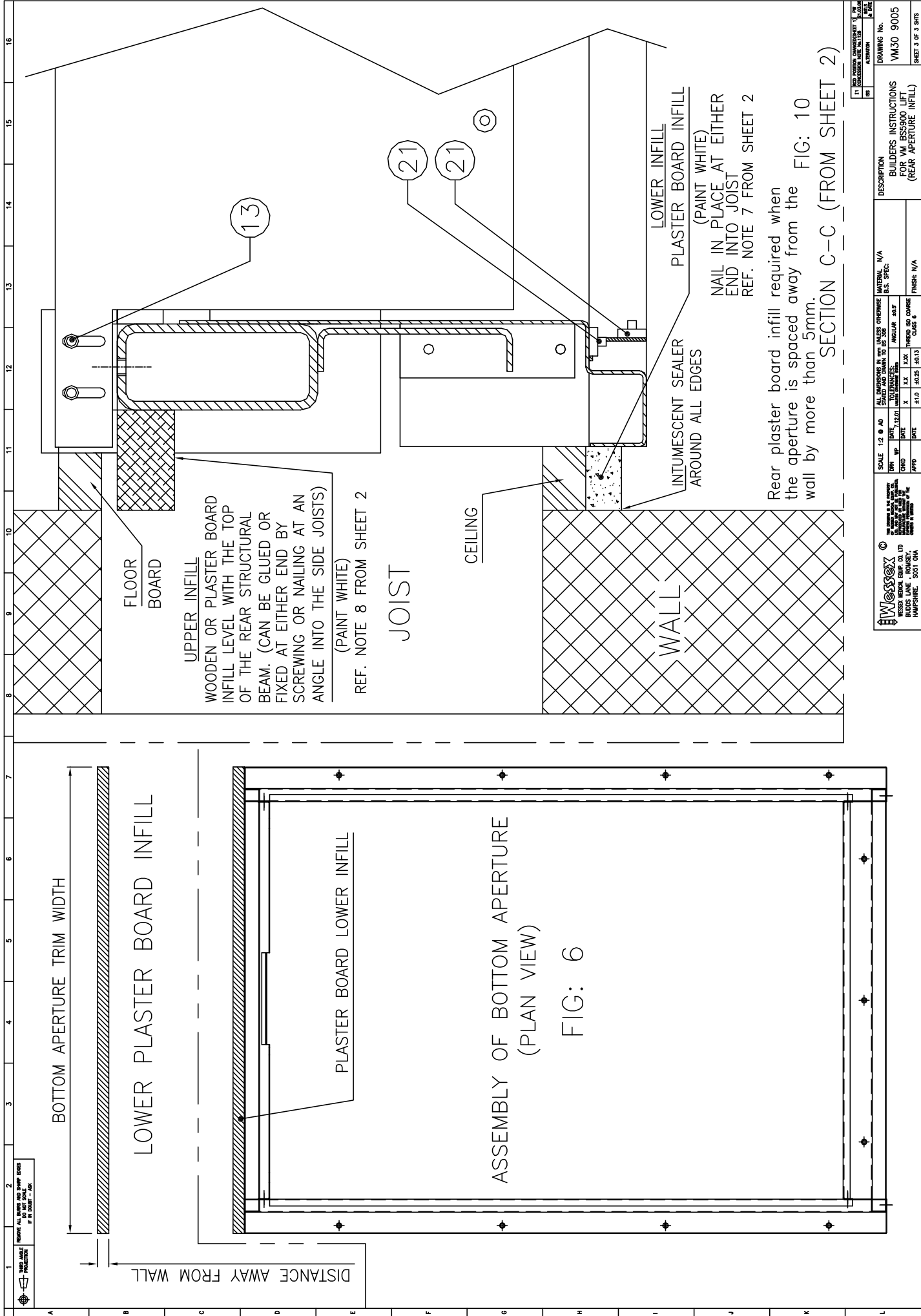
DESCRIPTION
BUILDERS INSTRUCTIONS
FOR VM BS5900 LIFT
(APERTURE TRIM FIXING)

MATERIAL: N/A
B.S. SPEC: N/A

SCALE: 1:5 @ A1
ALL DIMENSIONS IN mm UNLESS OTHERWISE STATED AND DRAWN TO BS 308

DRN	EAS	DATE	10.9.98	ANGULAR	±0.5°
CHKD		DATE		X.X	X.XX
APPD		DATE		X.XX	THREAD ISO COARSE
				±1.0	±0.25 ±0.13
					CLASS 6
					FINISH: N/A

THE DRAWING IS THE PROPERTY OF WESSEX MEDICAL EQUIP. CO. LTD. IT IS TO BE KEPT IN CONFIDENCE AND NOT REPRODUCED OR USED FOR ANY OTHER PURPOSE WITHOUT THE EXPRESS PERMISSION OF THE COMPANY.
Wessex
WESSEX MEDICAL EQUIP. CO. LTD
BUDDS LANE · ROMSEY,
HAMPSHIRE · SO51 0HA

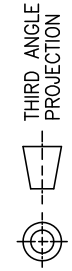


Rear plaster board infill required when the aperture is spaced away from the wall by more than 5mm.

SECTION C-C (FROM SHEET 2)

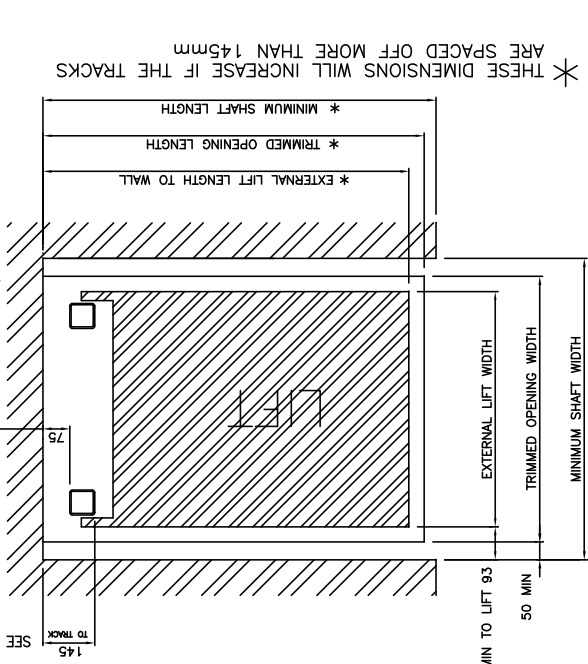
		SCALE 1:2 @ A0 DATE: 11/2011 CHD: X YPD:		ALL DIMENSIONS IN mm UNLESS OTHERWISE SPECIFIED TOLERANCES: ANGULAR ±0.5° LINEAR ±0.5mm HOLE DIA ±0.1mm THREAD TO COME ±0.1mm		MATERIAL I/A E.C. SPEC:		DESCRIPTION BUILDERS INSTRUCTIONS FOR VM BSS900 LIFT (REAR APERTURE INFILL)		DRAWING No. VM30 9005	
										SHEET 3 OF 3 SITS	

1 2 3 4 5 6 7 8



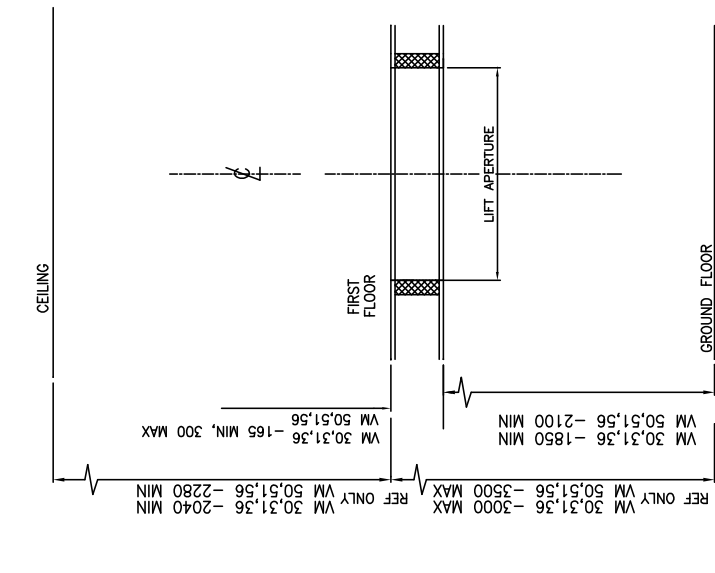
REMOVE ALL BURRS AND SHARP EDGES
DO NOT SCALE
IF IN DOUBT - ASK

Note: If dimension from back face of tracks to wall (75mm nominal) is greater than 100mm upstairs 150mm downstairs then the false wall (steel rear panel) will be required.



PLAN VIEW LIFT/SHAFT

MODEL	LENGTH TO WALL			WIDTH		
	LIFT EXTERNAL	TRIMMED OPENING	SHAFT	LIFT EXTERNAL	TRIMMED OPENING	SHAFT
VM30/VM50	1031	1070	1120	667	746	846
VM31/VM51	1416	1455	1505	817	886	986
VM36/VM56	1466	1505	1555	867	946	1046

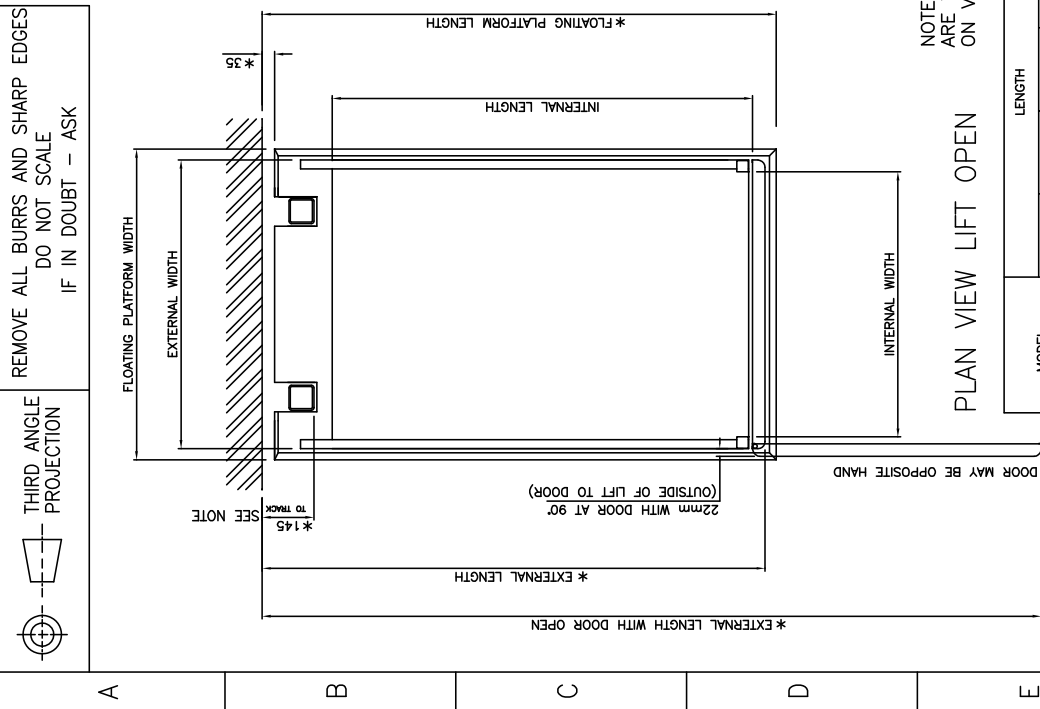


FRONT VIEW APERTURE CROSS SECTION

NOTE: LIFT INTERNAL LENGTH DIMENSIONS ARE TAKEN FROM POWER DOOR COVER ON VM31/51/36/56 LIFT TYPES.

MODEL	LENGTH			WIDTH		
	LIFT EXTERNAL	LIFT INTERNAL	DOOR OPEN	LIFT EXTERNAL	LIFT INTERNAL	FLLOATING PLATFORM
VM30/VM50	1031	790	1655	667	590	722
VM31/VM51	1416	1150	2190	817	740	872
VM36/VM56	1466	1200	2290	867	790	922

NOTE: DIMENSION 145mm TO TRACK FACE IS THE NOMINAL POSITION OF THE TRACKS. THEY CAN BE MOVED UP TO A MAXIMUM OF 165mm FROM THE WALL. SPACING THE TRACKS OFF THE WALL ANY FURTHER WOULD REQUIRE ENGINEERING AUTHORITY & CUSTOMER CONSENT AS IT CREATES A POTENTIAL TRAPPING HAZARD BEHIND THE LIFT.



PLAN VIEW LIFT OPEN

E	MINIMUM DOWNSTAIRS CEILING HEIGHT CHANGED ECO 0860	WP 30.4.02
D	DM'S UPDATED AND REFERENCE POINT CHANGED E.C.O 0773	WP 18.1.00
C	RAMP DELETED/DIMN UPDATED E.C.O 0729	EAS 22.9.98
ISS	ALTERATION	INTLS & DATE

WESSEX MEDICAL EQUIP. CO. LTD
BUDDS LANE, ROMSEY,
HAMPSHIRE. SO51 0HA

THIS DRAWING IS THE PROPERTY OF WESSEX MEDICAL EQUIP. CO. LTD. AND MAY NOT BE PUBLISHED, REPRODUCED OR USED FOR ANY PURPOSE WITHOUT THE EXPRESS PERMISSION OF THE OWNERS IN WRITING

SCALE NTS

DRN	EAS	DATE
		22.9.98

TOLERANCES:
UNLESS OTHERWISE STATED

CHKD	DATE	APPD	DATE

ALL DIMENSIONS IN mm UNLESS OTHERWISE STATED AND DRAWN TO BS 308

TOLERANCES:	ANGULAR	±0.5°
X	X.X	X.XX
±1.0	±0.25	±0.13
		THREAD ISO COARSE CLASS 6

MATERIAL: N/A
B.S. SPEC: N/A

FINISH: N/A

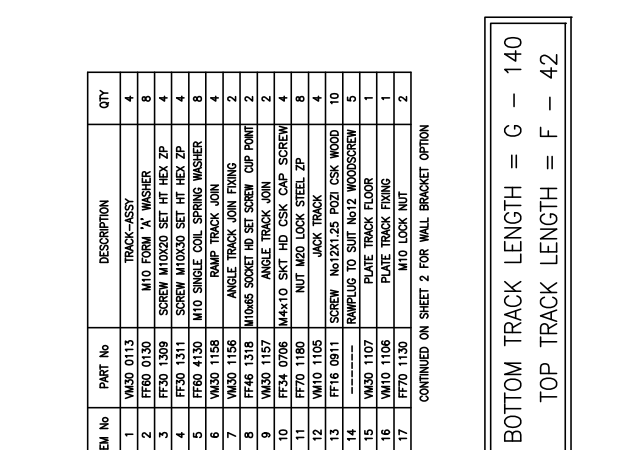
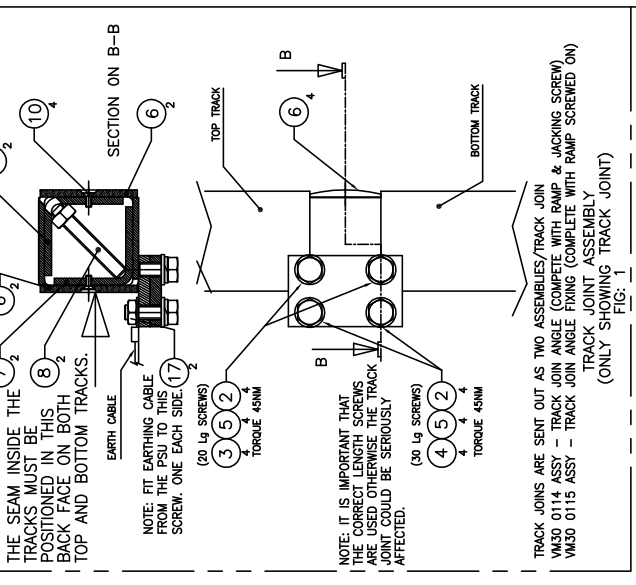
DESCRIPTION

VM LIFT DIMENSIONS

DRAWING No.
VM10 7001

SHEET 1 OF 1 SHITS

1 2 3 4 5 6 7 8 9 10 11 12

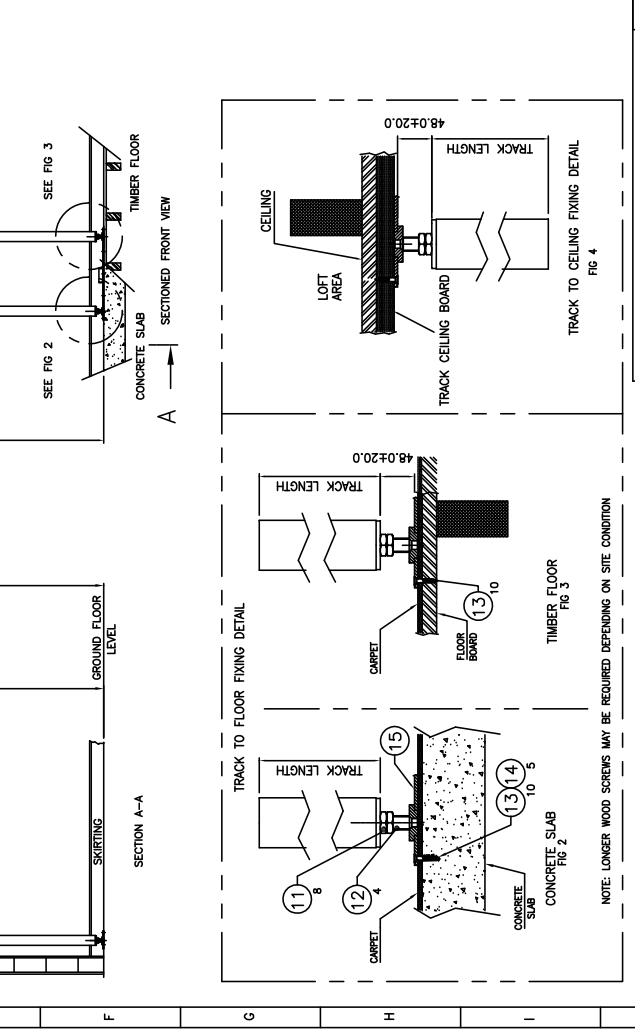


ITEM No	PART No	DESCRIPTION	QTY
1	WM30 0113	TRACK-ASSY	4
2	FF80 0130	M10 FORM 'X' WASHER	8
3	FF30 1309	SCREW M10X20 SET HT HEX ZP	4
4	FF30 1311	SCREW M10X30 SET HT HEX ZP	4
5	FF80 4130	M10 SINGLE COIL SPRING WASHER	8
6	WM30 1158	RAMP TRACK JOIN	4
7	WM30 1156	ANGLE TRACK JOIN FINING	2
8	FF46 1318	M10x65 SOCKET HD SET SCREW CUP POINT	2
9	WM30 1157	ANGLE TRACK JOIN	2
10	FF34 0706	M4x10. SKT HD CSK CAP SCREW	4
11	FF70 1180	NUT M20 LOCK STEEL ZP	8
12	WM10 1105	JACK TRACK	4
13	FF16 0911	SCREW No12x1.25 F021 CSK WOOD	10
14	WM30 1107	RAMP PLUS TO SUIT M12 WOODSCREW	5
15	WM30 1107	PLATE TRACK FLOOR	1
16	WM10 1106	PLATE TRACK FINING	1
17	FF70 1130	M10 LOCK NUT	2

CONTINUED ON SHEET 2 FOR WALL BRACKET OPTION

BOTTOM TRACK LENGTH = G - 140
TOP TRACK LENGTH = F - 42

1. Cut top & bottom tracks to length using formula given.
2. Assemble items 11 & 12 (jacking screws & nuts) to all tracks.
3. Position item 15 (footplate) in the approximate position (ground floor).
4. Place the bottom tracks into item 15 (footplate) as shown in fig. 2.
5. Assemble item 6 to item 7 but not to item 9.
6. Assemble items 7 & 9 into the top of the bottom set of tracks as shown above.
7. Screw out item 8 only enough to prevent the angles item 7 & 9 from falling inside the track. Do not apply any tension at this stage.
8. Assemble items 2,3,4 & 5 as shown above. Only tighten finger tight at this stage.
9. Screw out the jacking screws on the bottom tracks taking up the slack. Only apply light tension at this stage.
10. Place the top set of tracks over the track joint and put the top track plate item 15 in position and apply a small amount of tension against the ceiling using the jacking screws. NOTE: THE SEAM MUST BE POSITIONED IN THE BACK FACE.
11. Tighten item 8 up hard on both sets of tracks.
12. Drop a plumb line down from the top of the top set of tracks down to the floor and plumb the tracks up in both directions to within ±1.5mm. NOTE: TRACKS MUST BE PLUMB FRONT & SIDE FACES TO WITHIN ±1.5mm AS THIS IS ESSENTIAL TO THE LIFT WORKING CORRECTLY.
13. Put one fixing into both the top and bottom track fixing plates items 15 & 14.
14. Fully tighten items 3 & 4 and recheck the tracks are still plumb.
15. Now add all the fixings to both top and bottom track fixing plates.
16. Apply some more tension to both top and bottom jacking screws. Be careful not to over tension the top plate as you may lift the ceiling.
17. Assemble item 6 to item 9.
18. Finally check the gap between tracks and track plate as shown in fig.3 and 4.



REV	DESCRIPTION	DATE
E	TRACK FIXINGS CHANGED (M10 TRACKING SCREWS FINING) (M10 TRACKING NUTS FINING) (M10 TRACKING WASHERS FINING) (M10 TRACKING WASHERS FINING)	10/09/08
D	REFER TO SHEET 2	10/09/08
C	TRACK JOIN CHANGED	10/09/08
B	TRACK JOIN CHANGED	10/09/08
A	PRODUCTION ISSUE	27/08/08
RS	ALUMINIUM	

Wessex
 THE DRAWING IS THE PROPERTY OF WESSEX MEDICAL EQUIP. CO. LTD. IT IS TO BE USED FOR THE PROJECT AND SITE SPECIFIC ONLY. IT IS NOT TO BE REPRODUCED OR USED FOR ANY OTHER PROJECT WITHOUT THE EXPRESS PERMISSION OF THE COMPANY. WESSEX MEDICAL EQUIP. CO. LTD
 BUDDS LANE · ROMSEY, HAMPSHIRE. SO51 0HA

SCALE: NTS
 ALL DIMENSIONS IN mm UNLESS OTHERWISE STATED AND DRAWN TO BS 308

DRN	EAS	DATE	TOLERANCES:	MATERIAL	N/A	DESCRIPTION
CH/D	X	X.X	ANGULAR ±0.5°	B.S. SPEC:	N/A	TRACK INSTALLATION (M30/1/6 CEILING FIX) SETTING INSTRUCTION
APPD	DATE	DATE	X.X X.X X.X X.X	THREAD ISO COARSE	FINISH: N/A	SHEET 1 OF 4 SHTS
			±1.0 ±0.25 ±0.13	CLASS 6		

DRAWING No. VM00 2010

REMOVE ALL BURRS AND SHARP EDGES IF IN DOUBT - ASK

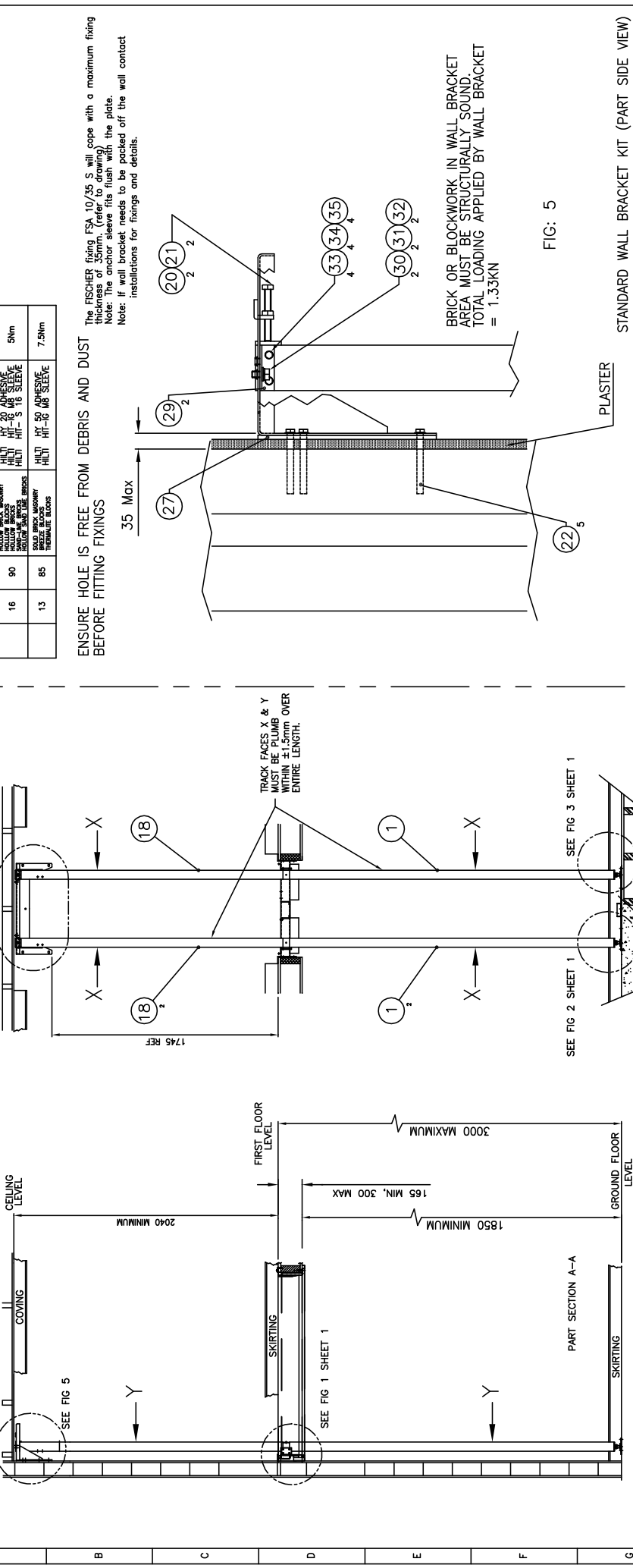


FIG 5
STANDARD WALL BRACKET KIT (PART SIDE VIEW)

FIG 4
SECTIONED FRONT VIEW

FIG 3
TRACK FACES X & Y MUST BE PLUMB WITHIN ±1.5mm OVER ENTIRE LENGTH.

ENSURE HOLE IS FREE FROM DEBRIS AND DUST BEFORE FITTING FIXINGS

The FISCHER fixing FSA 10/35 S will cope with a maximum fixing thickness of 35mm. (refer to drawing)
Note: The anchor sleeve fits flush with the plate.
Note: If wall bracket needs to be packed off the wall contact installations for fixings and details.

ITEM	REF	DESCRIPTION	MATERIAL	FIXING	TORQUE
22	10	90	CONCRETE	FISCHER FSA 10/35 S	25Nm
	16	90	HOLLOW BRICK MORTAR	HILTI HY 20 ADHESIVE	12.5Nm-25Nm (DEPENDS ON BRICK QUALITY)
	13	85	SOLID BRICK MORTAR	HILTI HIT-IG MB SLEEVE	5Nm
			TERMINAL PLATE BLOCKS	HILTI HIT-IG MB SLEEVE	7.5Nm

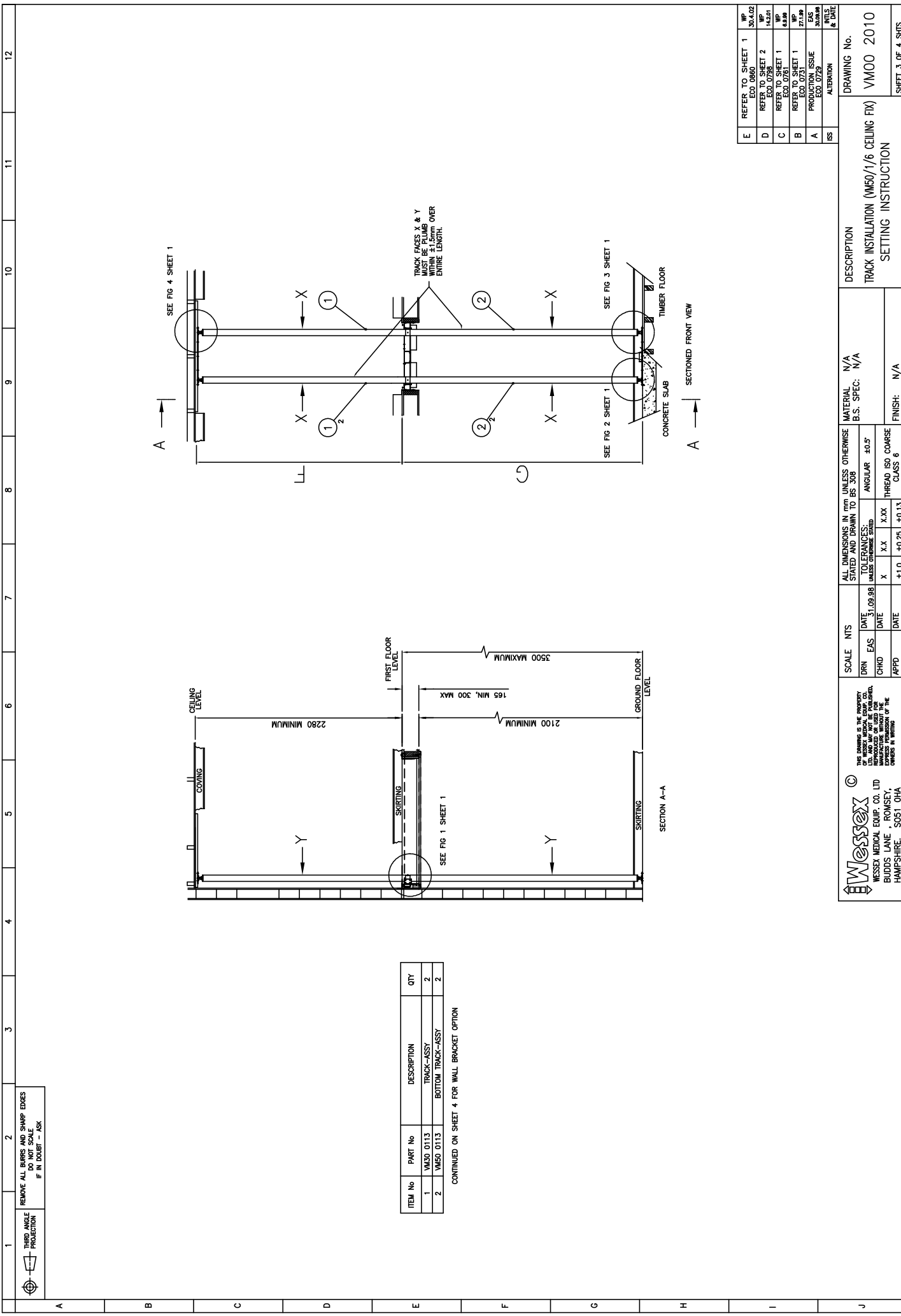
ITEM No	PART No	DESCRIPTION	QTY
18	VM30 1111	TRACK-UPPER WALL BR'KIT	2
19	VM10 1157	BRACKET-TRACK WALL	1
20	FF30 1371	SCREW M10 X 80 SET HT HEX ZP	2
21	FF70 1130	NUT M10 LOCK STEEL ZP	2
22	FF42 0316	BOLT M8 SAFETY ANCHOR	5
23			
24			
25			
26	VM10 1156	WALL BRACKET RUBBER PACKER	1
28			
29	VM10 1121	BRACKET TRACK ANGLE	2
30	FF30 1309	SCREW M10 X 20 SET HK ZP	2
31	FF60 0130	WASHER M10 FORM A STEEL ZP	2
32	FF60 4130	M10 SPRING WASHER	2
33	FF30 1007	SCREW M6 X 12 HK ZP	4
34	FF60 0100	WASHER M6 FORM A STEEL ZP	4
35	FF60 4100	WASHER M6 SPRING COIL	4

CONTINUED FROM SHEET 1
REFER TO SHEET 1 FOR CEILING BOARD OPTION

SEE ALSO WALL BRACKET KIT FIG 5

Wessex
 THE DRAWING IS THE PROPERTY OF WESSEX MEDICAL EQUIP. CO. LTD. IT IS TO BE USED FOR THE PROJECT AND NOT TO BE REPRODUCED OR USED FOR ANY OTHER PROJECT WITHOUT THE EXPRESS PERMISSION OF THE COMPANY.
 WESSEX MEDICAL EQUIP. CO. LTD
 BUDDS LANE · ROMSEY, HAMPSHIRE · SO51 0HA

SCALE	NTS	ALL DIMENSIONS IN mm UNLESS OTHERWISE STATED AND DRAWN TO BS 308	MATERIAL	N/A	DESCRIPTION
DRN	EAS	DATE: 20.09.08	ANGULAR	±0.5°	TRACK INSTALLATION (VM30/1/6 WALL FIX)
CHKD	DATE		X.X	X.XX	SETTING INSTRUCTION
APPD	DATE		X.X	X.XX	
			±1.0	±0.25	±0.13
					CLASS 6
					FINISH: N/A



ITEM No	PART No	DESCRIPTION	QTY
1	VM50 0113	TRACK-ASSY	2
2	VM50 0113	BOTTOM TRACK-ASSY	2

CONTINUED ON SHEET 4 FOR WALL BRACKET OPTION

REV	DESCRIPTION	DATE	BY	APPD
E	REFER TO SHEET 1	30.4.02	WP	
D	REFER TO SHEET 2	1.10.01	WP	
C	REFER TO SHEET 1	6.8.99	WP	
B	REFER TO SHEET 1	27.11.97	WP	
A	PRODUCTION ISSUE	20.08.98	WP	

SCALE	NTS	DATE	DATE	DATE
DRN	EAS	3.09.98		
CHKD				
APPD				

ALL DIMENSIONS IN mm UNLESS OTHERWISE STATED AND DRAWN TO BS 308	TOLERANCES UNLESS OTHERWISE STATED	MATERIAL	N/A
X	±1.0	ANGULAR	±0.5
X.X	±0.25	THREAD ISO COARSE	CLASS 6
X.XX	±0.13		

DESCRIPTION	TRACK INSTALLATION (M50/1/6 CEILING FIX)	SETTING INSTRUCTION
DRAWING No.	VM00 2010	

FINISH	N/A

THIS DRAWING IS THE PROPERTY OF WESSEX MEDICAL EQUIP. CO. LTD. IT IS NOT TO BE REPRODUCED OR USED FOR ANY OTHER PROJECT WITHOUT THE EXPRESS PERMISSION OF THE COMPANY. S051 OHA

Wessex
 WESSEX MEDICAL EQUIP. CO. LTD
 BUDDS LANE · ROMSEY,
 HAMPSHIRE · SO51 0HA

ITEM No	PART No	DESCRIPTION	QTY
1	VM50 0113	TRACK-ASSY	2
2	VM50 0113	BOTTOM TRACK-ASSY	2