



# A stairlift tailor-made for children

Our new child stairlift can be tailored to the child's particular needs and size, and can be made to fit practically any type of stairs - straight, curved or narrow.

### 1 R82 DESIGNED SEAT

provides the maximum comfort and support, with the choice of different cushions and seat harness to tailor the seat to the child's specific needs.

### 2 DIRECTIONAL CONTROLS

either a user-friendly, light-touch joystick (shown) or optional push-buttons can be mounted on whichever arm is easiest. Can be removed if control is preferred via the remote control only.

### 3 MANUAL SEAT SWIVEL OR POWERED SWIVEL OPTION

either side of the seat operate the manual swivel seat. A power assisted swivel option is available - operated via the remote control, joystick or push-button controls. The ability to swivel at the top of the stairs means the stairlift... acts as a safety barrier, blocking off the stairwell and making child handling safer.

### 4 SAFETY SENSOR

enables the stairlift to stop if it meets an obstruction on the stairs.



### 5 FOOTREST

to provide support for the child if required (optional).

### 6 ON-OFF SWITCH

provides power to the stairlift.

### 7 KEYSWITCH

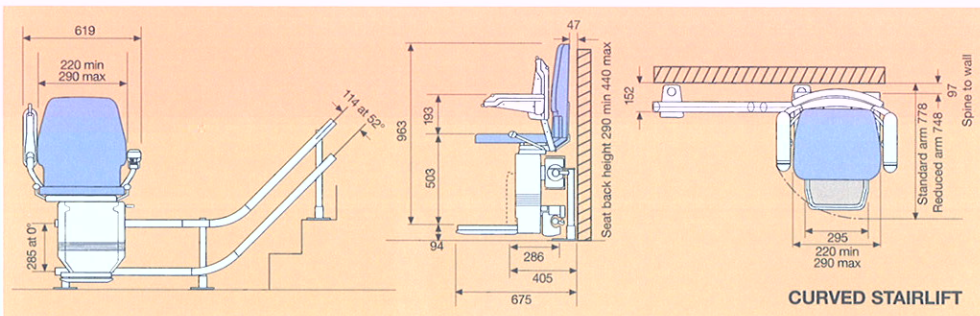
can be used to completely immobilise the stairlift.

### 8 INFRARED REMOTE CONTROL

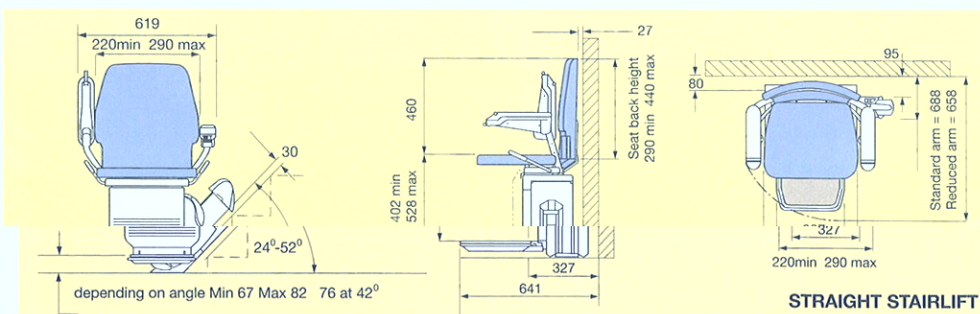
enables the parent to move the stairlift up and down the stairs, with or without the child in the seat.



**BUILT TO BRITISH STANDARDS** for safety and reliability.



CURVED STAIRLIFT



STRAIGHT STAIRLIFT

## A range of accessories is available.



Head support



Seat harness



Side supports



Seat extension

Basic dimensions subject to change. Attachment of R82 seat may alter basic stairlift dimensions and turning circle - dependent on options and user needs.



For details call 0800 715 358 (24 hours)  
[www.stannahstairlifts.co.uk](http://www.stannahstairlifts.co.uk)

