



INFORMATION FOR ARCHITECTS & INSTALLERS

Wall lift Installation

Table of contents

1. On the wall	p. 2
1.1. Installation instructions	p. 2
1.2. Minimum strength of the wall	p. 3
2. On a pole	p. 4
2.1. Installation instructions	p. 4
2.2. Minimum strength of the ceiling and/or wall	p. 4

WALL LIFT INSTALLATION

1. On the wall

1.1. Installation instructions

It is better to carry out the horizontal installation of the lift based on a small sketch of the space in which the wall lift is being placed:

- The positions of the planned starting and finishing points should be marked on the sketch, in other words: location of the swivel hook at the starting and finishing point. These points can be defined during preparatory tests with a mobile lift.
- Draw a line connecting both points.
- Draw a perpendicular line through the middle of this line. The spot where this line intersects the wall is the place where the wall lift should be installed.

The set-up of the lift arm needs to equal the radius of the resulting circle and has to be defined between 37.4 inch / 95.00 cm and 51.18 inch / 130.00 cm. If the farthest point is rather high up and if the arm is not positioned horizontally but rather high, the radius will be considerably reduced, as shown in the table below. If that is the case, it might be preferable not to follow the above mentioned method implicitly, but to move the wall lift a few more centimetres in the direction of the highest position.

Position	Distance from wall to swivel hook		
	Lowest [inch/cm]	Horizontal [inch/cm]	Highest [inch/cm]
1	36.54 / 92.80	37.4 / 95.00	33.46 / 85.00
2	37.01 / 94.00	39.37 / 100.00	35.24 / 89.50
3	38.86 / 98.70	41.34 / 105.00	36.97 / 93.90
4	40.67 / 103.30	43.31 / 110.00	38.7 / 98.30
5	42.52 / 108.00	45.28 / 115.00	40.43 / 102.70
6	44.33 / 112.60	47.24 / 120.00	42.17 / 107.10
7	46.18 / 117.30	49.21 / 125.00	43.9 / 111.50
8	47.99 / 121.90	51.18 / 130.00	45.63 / 115.90

Table: Horizontal range of the arm in inches. According to the stretch of the arm, positions 1 (shortest) through 8 (longest), this table gives you the horizontal distance from the wall to the swivel hook for three positions of the arm: in the lowest position, the horizontal position and the highest position.

The lifting height that can be reached in this way varies from 17.32 inch / 44.00 cm (retracted arm) to 24.8 inch / 63.00 cm (stretched arm) respectively. It is thus of utmost importance to place the wall lift at the correct height.

To determine the correct height of the wallplate (upper fixing screws) you may proceed as follows: look for the lowest point that has to be reached when transferring. The most common heights are :

- Bottom of the bath: 3.94 inch / 10.00 cm
- Bed: 17.72 inch / 45.00 cm
- Wheelchair: 19.69 inch / 50.00 cm

This point needs to be reached in the lowest arm position, otherwise the person just floats above it.

WALL LIFT INSTALLATION

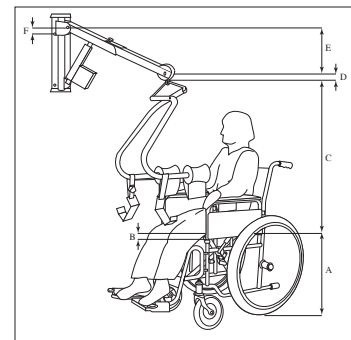
To the height of the lowest point one has to add successively:

- 47.24 inch / 120.00 cm from the seat of the person to the swivel hook
- 3.35 inch / 8.50 cm from the swivel hook to the middle of the arm
- 11.81 inch / 30.00 cm for the lowest arm position vis-à-vis the horizontal position
- 0.39 inch / 1.00 cm from the horizontal position to the screws.

One also has to take into account that in this way the person only just touches the bath. If you want to reach a sitting position and if you want to be able to fasten or loosen the sling straps, you have to deduct a further 7.87 inch / 20.00 cm .

Example of a transfer wheelchair-hospital bed. The seat of the wheelchair is 19.69 inch / 50.00 cm high, the bed is 31.5 inch / 80.00 cm high. That means the wheelchair is the determining point. The result is: 19.69 inch / 50.00 cm (wheelchair) + 47.24 inch / 120.00 cm + 3.35 inch / 8.50 cm + 11.81 inch / 30.00 cm - 0.39 inch / 1.00 cm - 7.87 inch / 20.00 cm = 73.82 inch / 187.50 cm . The final positioning should be at 72.83 inch / 185.00 cm height to the top bolt holes.

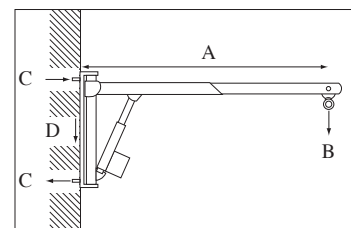
A	19.69 inch / 50.00 cm - height of the wheelchair (may vary)
B	7.87 inch / 20.00 cm - for attaching/detaching the sling loops
C	47.24 inch / 120.00 cm - from the seat of the person to the swivel hook
D	3.35 inch / 8.50 cm - from the swivel hook to the middle of the arm
E	11.81 inch / 30.00 cm - for the lowest arm position vis-à-vis the horizontal position
F	0.39 inch / 1.00 cm - from the horizontal position to the screws



YOU CAN FOLLOW THIS RULE: HEIGHT OF THE LOWEST POINT + 53.15 INCH / 135.00 CM (= UPPER FIXING HOLES WALL PLATE)

1.2. Minimum strength of the wall

A	51.18 inch / 1300.00 mm
B	1450 N
C	4000 N
D	1700 N

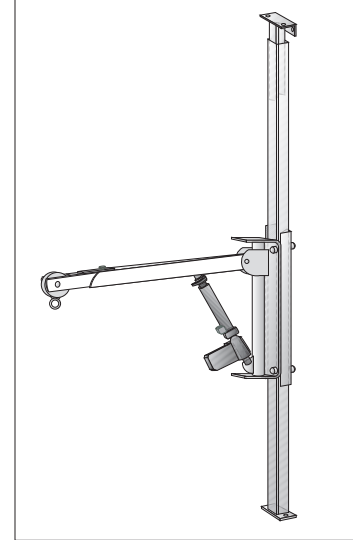
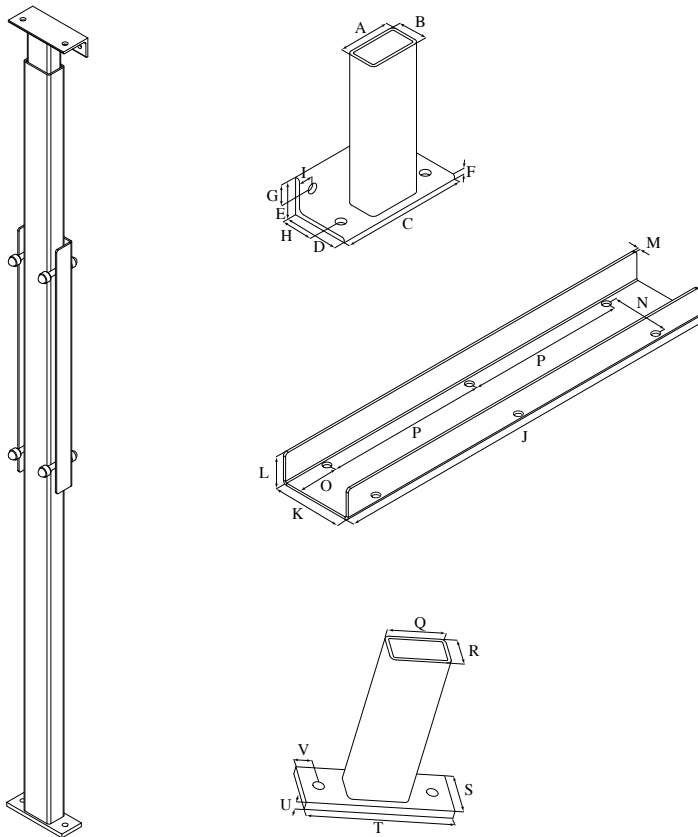


WALL LIFT INSTALLATION

2. On a pole

2.1. Installation instructions

The wall lift can also be attached to a special pole, if the wall does not meet the minimum requirements. The pole is anchored on the ground at the bottom, while it is attached to both the ceiling and the wall at the top.



	[inch/mm]		[inch/mm]		[inch/mm]		[inch/mm]
A	2.76 / 70.00	G	0.87 / 22.00	M	0.16 / 4.00	S	2.36 / 60.00
B	1.57 / 40.00	H	1.97 / 50.00	N	3.62 / 92.00	T	6.69 / 170.00
C	6.69 / 170.00	I	0.79 / 20.00	O	2.62 / 66.50	U	0.39 / 10.00
D	2.95 / 75.00	J	25.59 / 650.00	P	20.35 / 517.00	V	0.79 / 20.00
E	1.97 / 50.00	K	4.72 / 120.00	Q	2.76 / 70.00		
F	0.24 / 6.00	L	1.97 / 50.00	R	1.57 / 40.00		

2.2. Minimum strength of the ceiling and/or wall

A	51.18 inch / 1300.00 mm
B	1450 N
C	1000 N
D	1450 N

