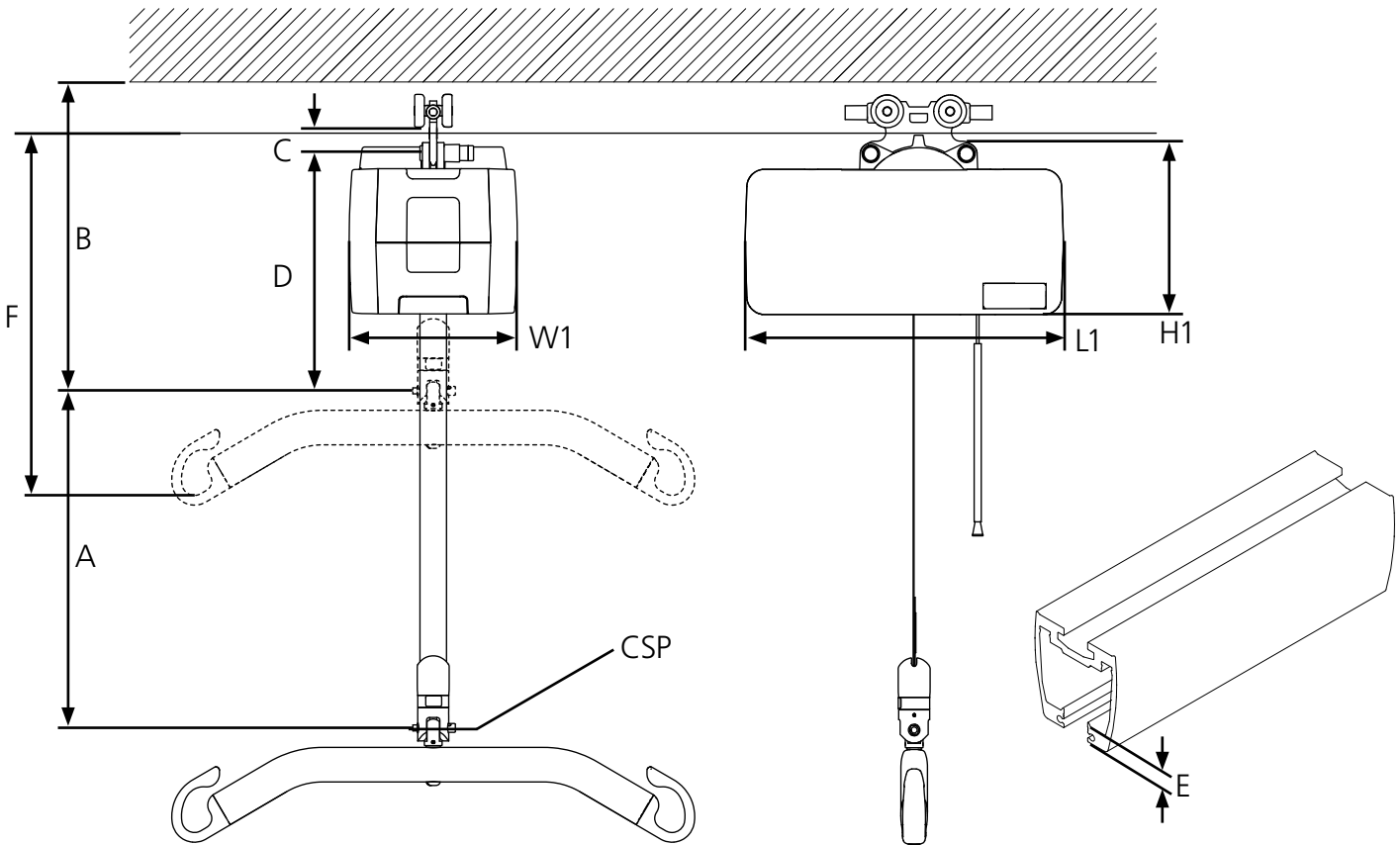


Measurements



Dimensions:

L x W x H (Length, Width, Height without trolley)

360 x 190 x 195 mm

A (Hoisting Range)

300 mm

B (Minimum distance from ceiling to CSP)

345 mm

C (Basic Trolley wheel to connection point lifter)

see table under

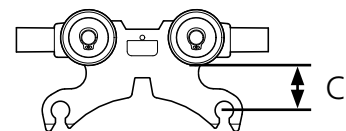
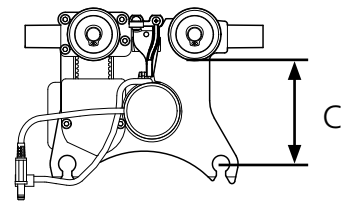
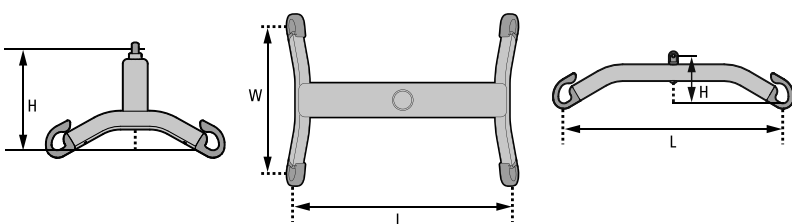
D (Hoist height from connection point to CSP)

249 mm

E (Wheeltrack inside rail to under rail H62)

10 mm

F (C+D+H2-E= Total height from rail to connection point for sling)



Art.no	Type / Size	H2	W2	L2
1830003	2 point Small	120	-	340
1830002	2 point Medium	120	-	440
1830001	2 Point Large	120	-	540
1830012	4 point Small	210	300	340
1830011	4 point Medium	220	300	440
1830010	4 point Large	240	360	540
1530006	4 point X-Large	240	380	640
All measurements in mm.				

Art.no	Type / Size	C
2520000	Basic Trolley	29,6
2500103	Trolley Propulsion	72,6
2520006	Trolley IRC Propulsion	72,6
2520002	Trolley IRC	29,6
All measurements in mm.		