

Table of contents		Page
9.1	General information	2
9.2	Spare parts ordering procedure	2
9.3	Ordering	3
9.4	Spare parts catalogue	4



9.1 General information

When purchasing spare parts customers should in their own interest, always use genuine Pollock Lift's parts.

Spare parts must comply with the technical requirements specified by the manufacturer.

Only spare parts from the original equipment manufacturers can be relied to do so.

Spare parts that have not been supplied by Pollock Lifts cannot be relied upon for correct material, dimensions or finish.

Pollock Lifts cannot therefore be responsible for any damage arising from use of any such parts and the Guarantee will be invalid.

9.2 Spare parts ordering procedure

When ordering spare parts, the following must be observed:

1. State the type of LIFT and the lift serial number.
The serial number may be found on the Serial plate
2. State clearly Item No., description for the part required.
3. State the quantity being ordered.
4. State name and address clearly as well as method of delivery required.



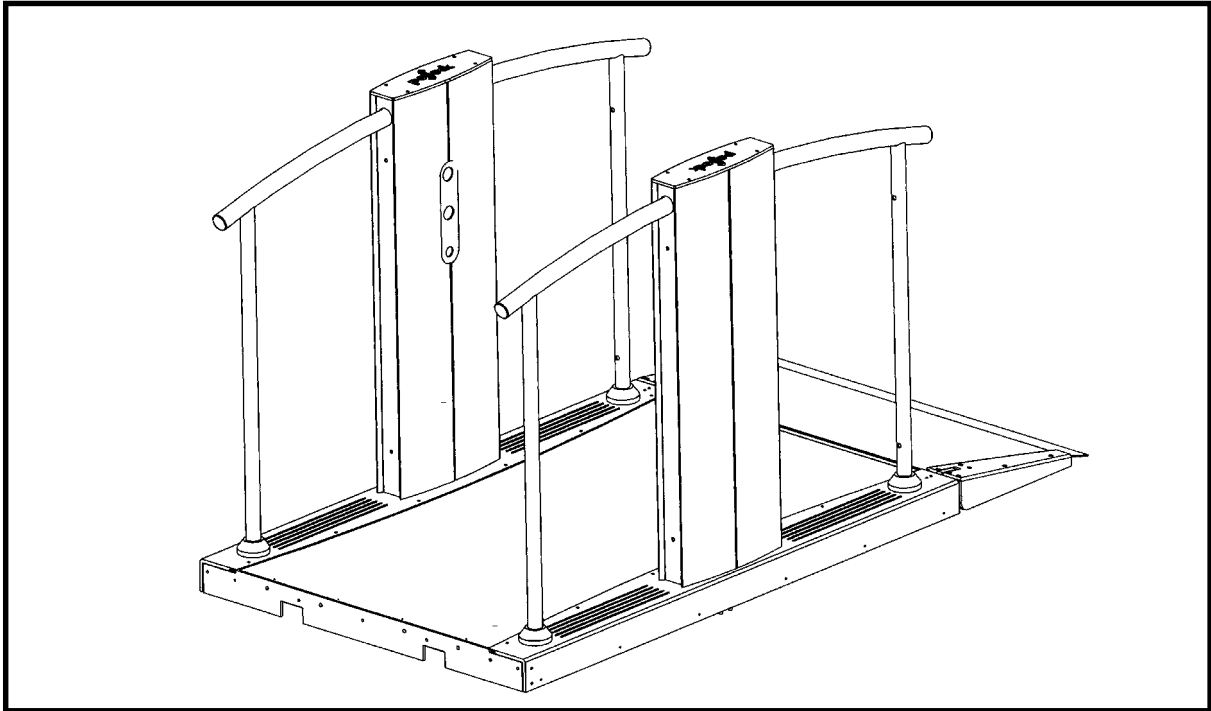
9.3 Order form

Customer	Name			
	Address			
	Phone			
	Fax			
Delivery	Name			
	Address			
	Phone			
	Fax			
Lift	Type			
	Serial Number			
Required Parts		Quantity	Item No.	Description
	#1			
	#2			
	#3			
	#4			
	#5			
	#6			
	#7			
	#8			
	#9			
	#10			
	#11			
	#12			
	#13			
	#14			
	#15			
	#16			
	#17			
	#18			
	#19			
	#20			

--

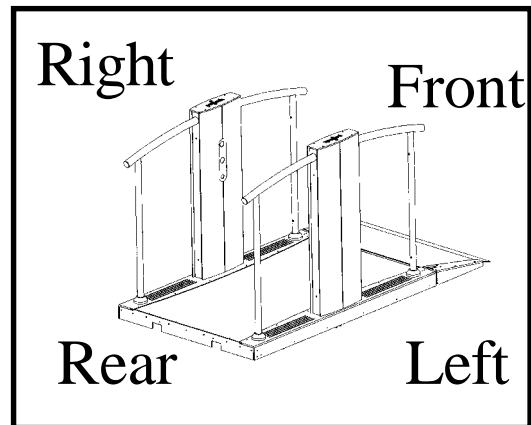
9.4 Index to Spare Parts listings

Section	Description	Fig.	Fig. No.
	Steplift Complete		1
	Scissor Frame		2
	Lh Side Assembly		3
	RH Side Assembly		4
	Ramp Assembly		5
	Top Stop Switch		6
	Bottom Stop Switch		7
	Ramp Lock Assembly		8
	Actuator Assembly		9
	Sensitive Edge assembly		10
	Pump Box		11
	Hydraulic Ram Assembly		12
	Steplift Controls		13



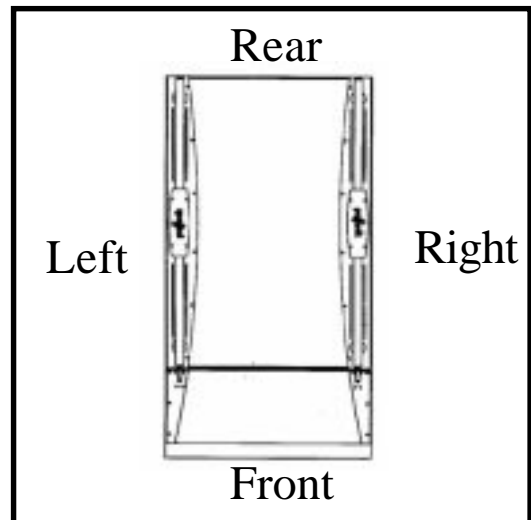
Left and Right hand

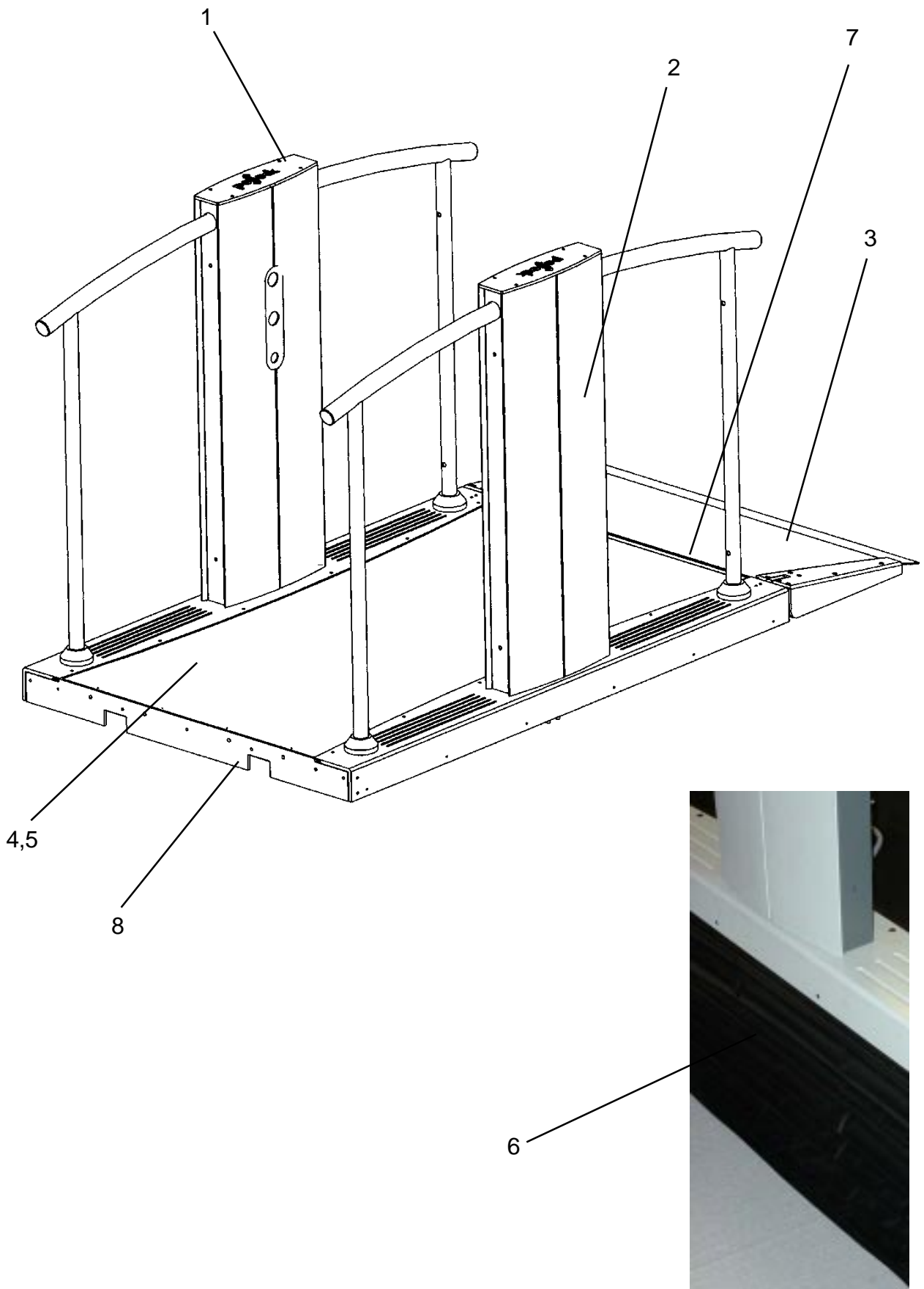
When using this handbook, at all times the right and the left hand references are viewed from the ramp end of the Lift.



Front and Rear

When using this handbook, at all times the Front of the Lift is situated at the ramp end.

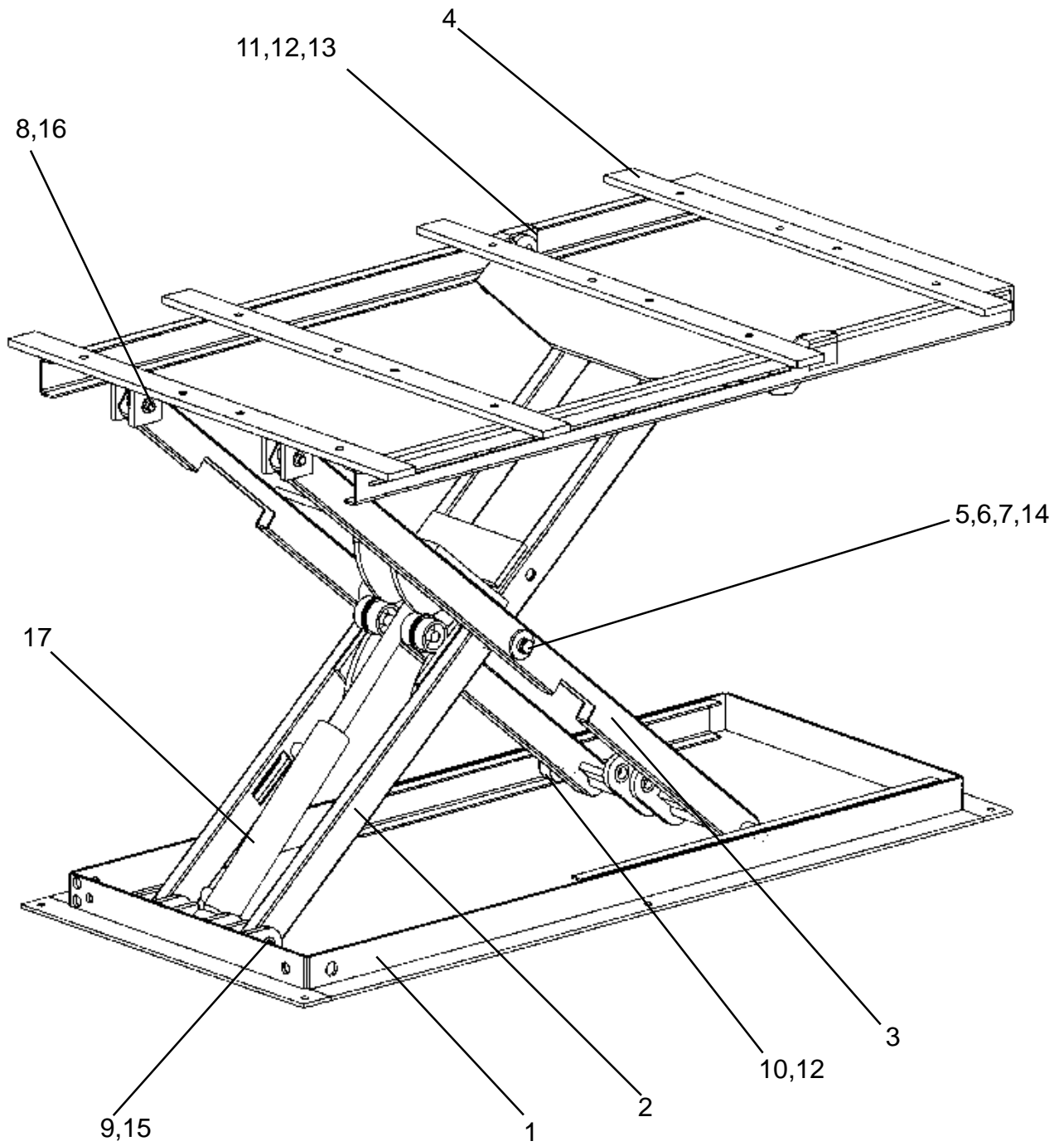





STEPLIFT COMPLETE.

	Spare parts section Key To Fig 1 (Issue 1, Ref. 50100100)	Steplift Issue 0 50100100 Page 7
---	--	---

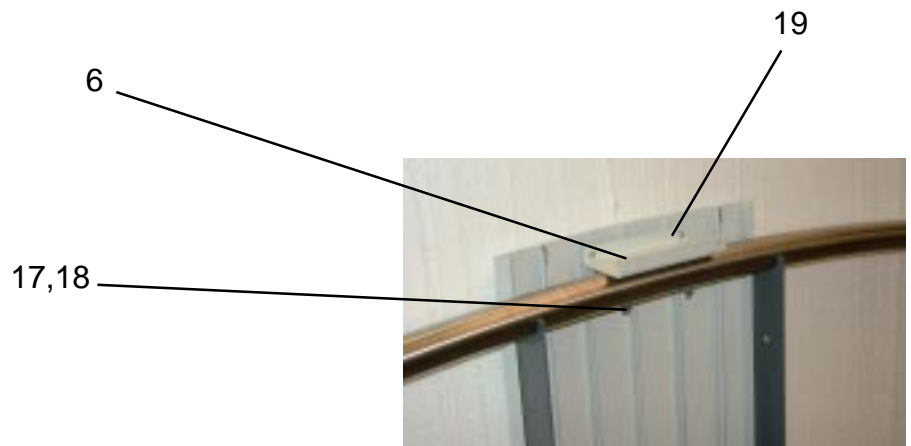
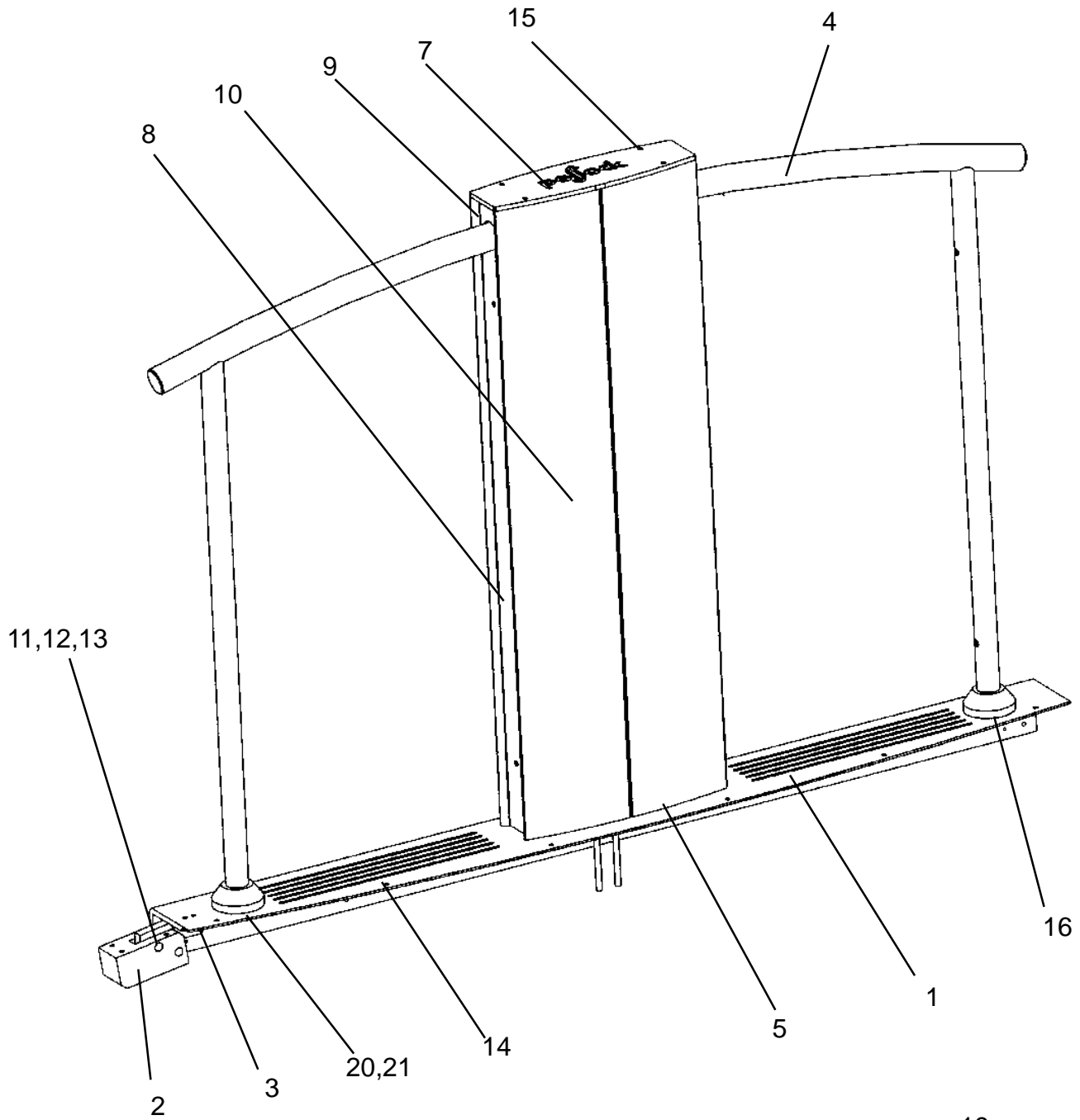
Part No.	Item	Description	No.off	Notes	Ref.
		Steplift Complete			
50200105_csa	1	Complete RH Side Assembly	1		
50200137_csa	2	Complete LH Side Assembly	1		
50200124_csa	3	Complete Ramp Assembly	1		
50200101	4	Platform Base	1		
50200131	5	Platform 6mm Rubber Mat	1		
50200100	6	Platform Bellows	1		
50201102	7	Platform Front End Strip	1		
50201103	8	Platform back End Strip	1		




SCISSOR FRAME

	<h2>Spare parts section</h2>	Steplift Issue 0 50100100 Page 9
---	------------------------------	---

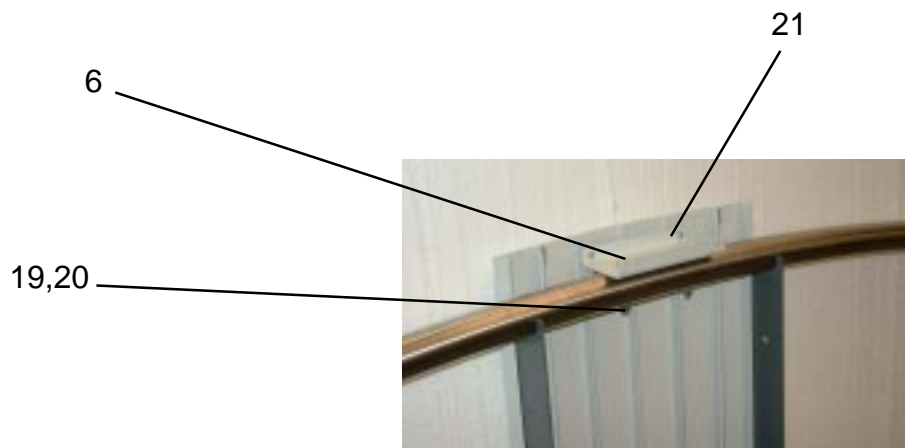
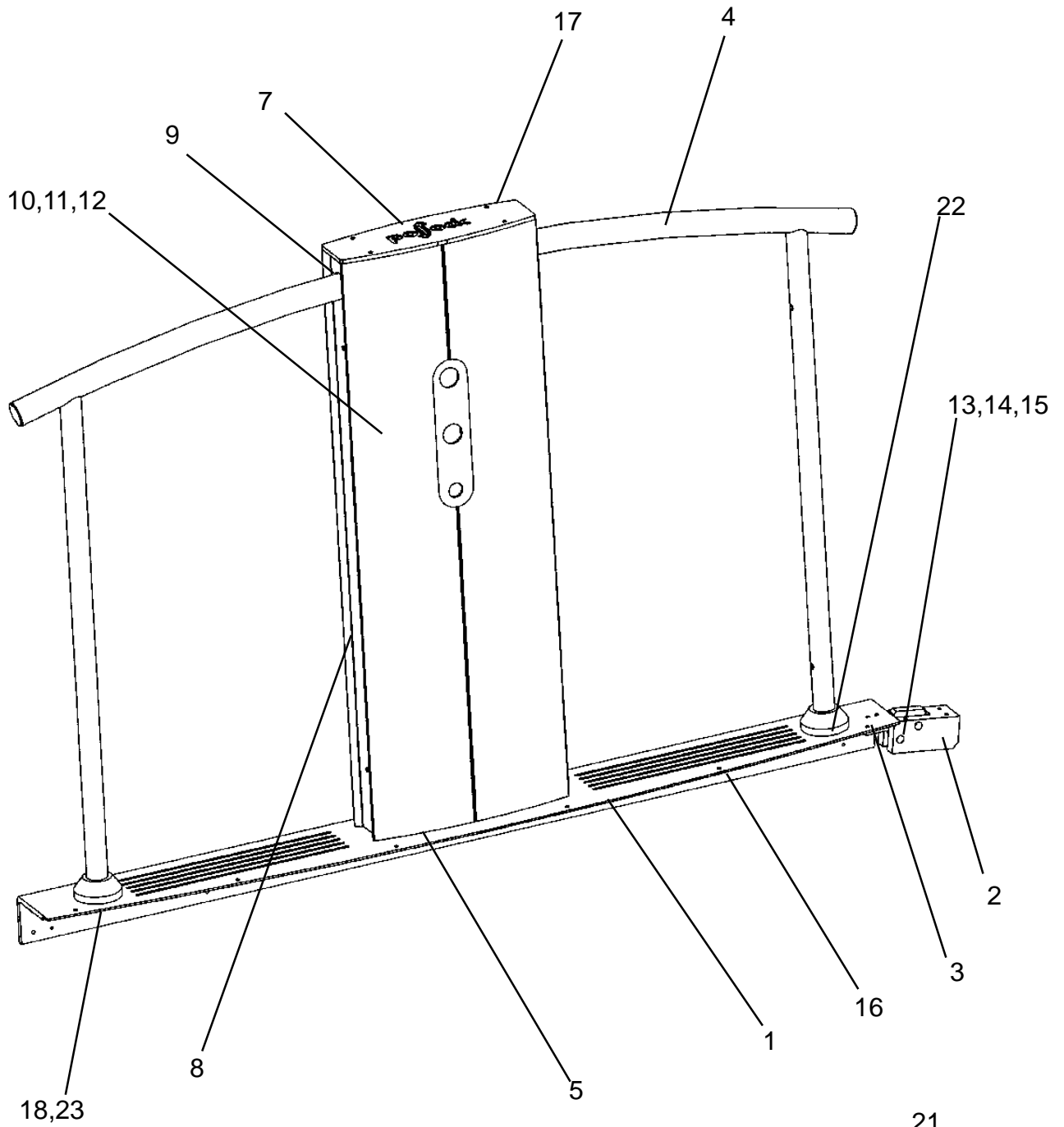
Part No.	Item	Description	No.off	Notes	Ref.
		Scissor Frame			
50101100	1	Scissor Frame Base	1		
50101104	2	Lower Cam Frame	1		
50101102	3	Upper Cam Frame	1		
50101101	4	Scissor Frame Top	1		
50100107	5	19 mm Scissro Leg Pivot Pin	1		
50100106	6	Scissor Leg Insert	2		
50100115	7	Nylon Scissor Leg Spacer	2		
50100114	8	Scissor Leg Top Pin	2		
50101111	9	Ram Pin	1		
50100103	10	Channel Wheel on BTM Support Fr	2		
50100105	11	Channel Slide On Support Frame	2		
90300354	12	Shoulder Bol	4		M8 x12x15
90300403	13	Nuts	2		M10
90300504	14	Circlips	2		19mm
90300503	15	Circlips	2		16mm
90300502	16	Circlips	4		12mm
50100124	17	Ram complete	1		Including wheels and bearings




LH SIDE ASSEMBLY.

	<h2>Spare parts section</h2>	Steplift Issue 0 50100100 Page 11
---	------------------------------	--

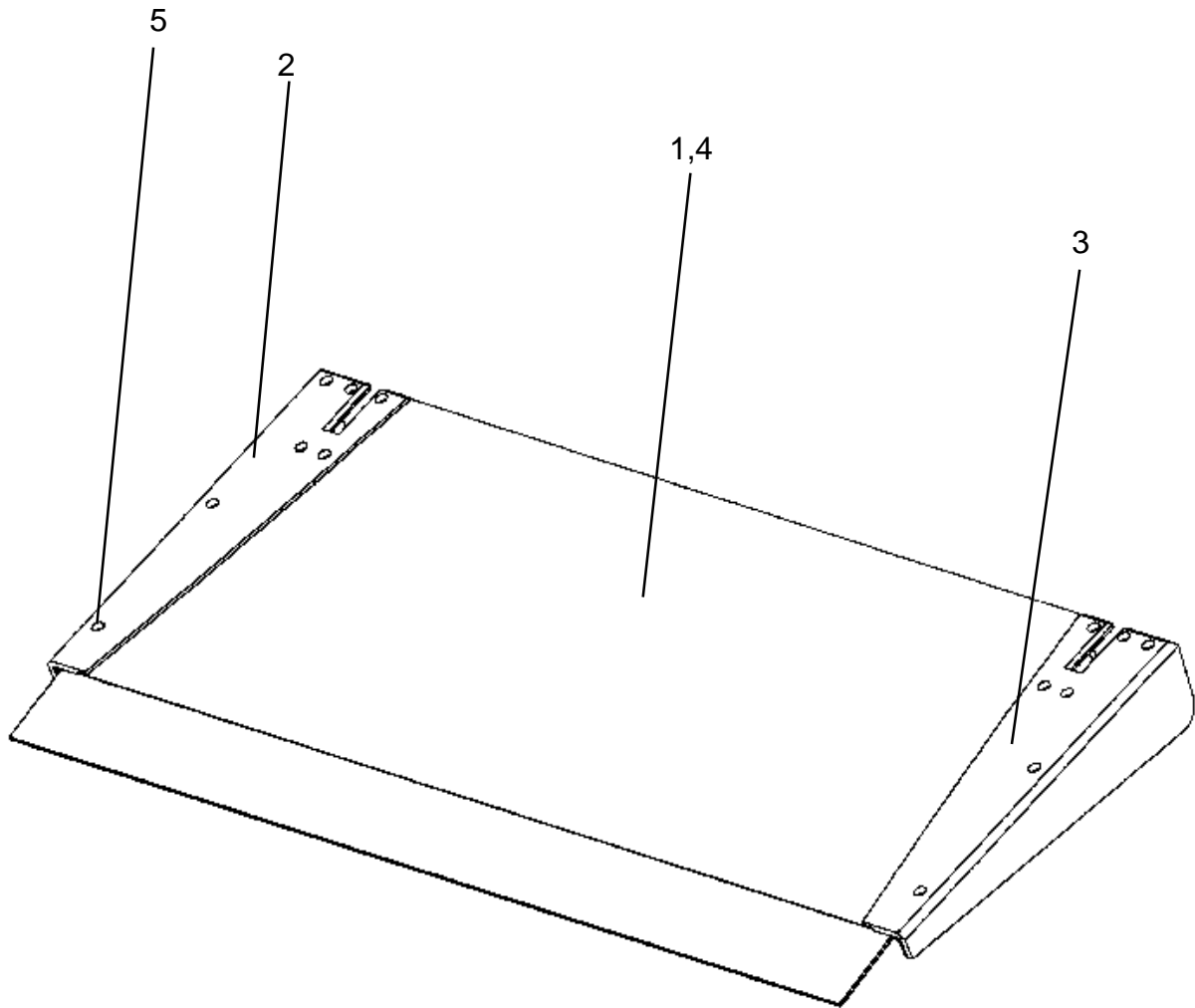
Part No.	Item	Description	No.off	Notes	Ref.
		LH Platform Side			
50200105	1	Platform Side LH	1		
50200108	2	Ramp Hinge Block	1		
50200126	3	Ramp Connecting Block	1		
50200113	4	Stainless handrails	1		
50201106	5	Stanchion Support Plates	1		
50200114	6	Handrail Mounting Plate	1		
50200116	7	Pollock Stanchion Top Plates	1		
50200112	8	Stanchion Side Panel Large	2		
50200112	9	Stanchion Side Panel small	2		
50200110	10	Stanchion Extrusion (plain)	4		
50201127	11	Ramp hinge pivot pin	2		
90500100	12	Brass Bush	4		8mm ID x 12mm OD x 12mm
90300501	13	Circlips	4		8mm
90300307	14	Tamperproof	14		M6 x 25 c/s
90300306	15	Tamperproof	19		M6 x 16 c/s
90300404	16	Button Head Tamperprof	2		M10x50
90300302	17	Nylocs	5		M6
90300308	18	Hex Bolt	2		M6x50
90300204	19	Button Head posi	4		M4x12
90300451	20	Tamperproof Screw	6		M12x20 c/s
50200107	21	Handrail support disc	2		




RH SIDE ASSEMBLY.

	<h2>Spare parts section</h2>	Steplift Issue 0 50100100 Page 13
---	------------------------------	--

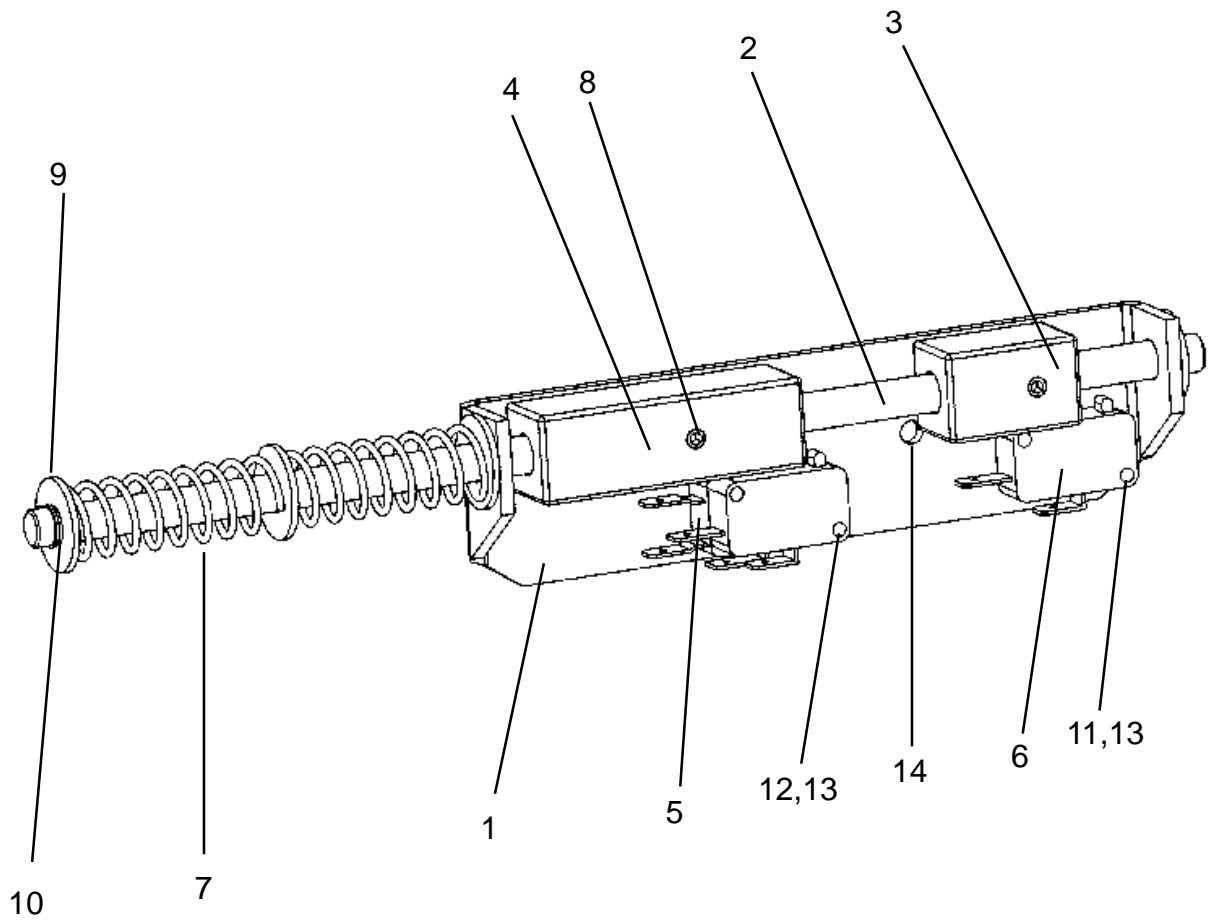
Part No.	Item	Description	No.off	Notes	Ref.
		RH Platform Side			
50200105	1	Platform Side Rh	1		
50200108	2	Ramp Hinge Block	1		
50200126	3	Ramp Connecting Block	1		
50200113	4	Stainless handrails	1		
50201106	5	Stanchion Support Plates	1		
50200114	6	Handrail Mounting Plate	1		
50200116	7	Pollock Stanchion Top Plates	1		
50200112	8	Stanchion Side Panel Large	2		
50200112	9	Stanchion Side Panel small	2		
50200110	10	Stanchion Extrusion (plain)	4		
50200109	11	Stanchion Extrusion (cut out lh)	2		
50200109	12	Stanchion Extrusion (cut out rh)	4		
50201127	13	Ramp hinge pivot pin	2		
90500100	14	Brass Bush	4		8mm ID x 12mm OD x 12mm
90300501	15	Circlips	4		8mm
90300307	16	Tamperproof	14		M6 x 25 c/s
90300306	17	Tamperproof	19		M6 x 16 c/s
90300404	18	Button Head Tamperprof	2		M10x50
90300302	19	Nylocs	5		M6
90300308	20	Hex Bolt	2		M6x50
90300204	21	Button Head posi	4		M4x12
90300451	22	Tamperproof Screw	6		M12x20 c/s
50200107	23	Handrail support disc	2		




RAMP ASSEMBLY

	<h2>Spare parts section</h2>	Steplift Issue 0 50100100 Page 15
---	------------------------------	--

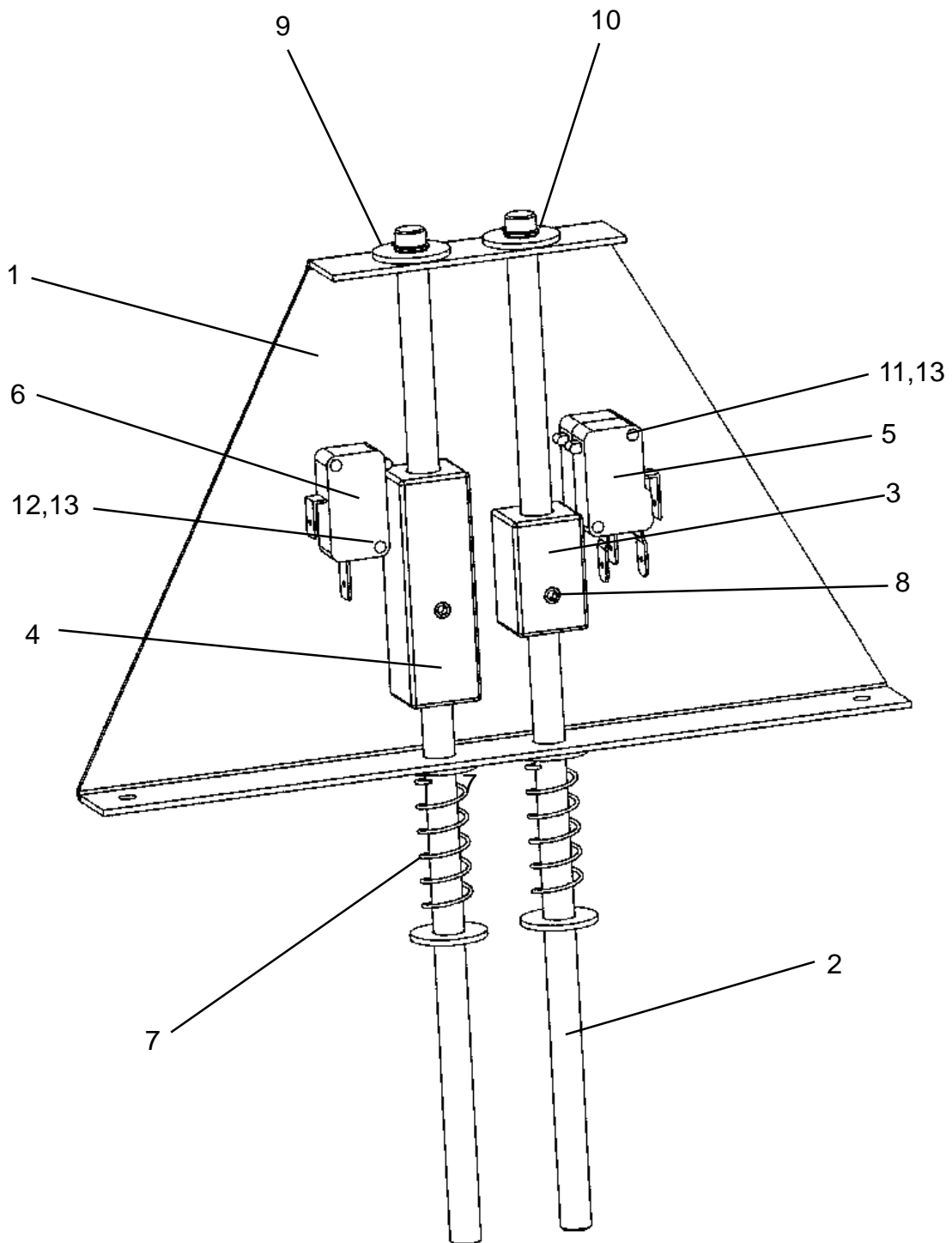
Part No.	Item	Description	No.off	Notes	Ref.
		Ramp Assembly			
50201124	1	Ramp Base	1		
50200125	2	Ramp Side LH	1		
50200125	3	Ramp Side RH	1		
50200132	4	3 mm Rubber ramp mat	1		
90300205	5	Tamperproof Screw	14		M6 x 20 C/S




TOP STOP SWITCH. (50101113_CSA)

	<h2>Spare parts section</h2>	Steplift Issue 0 50100100 Page 17
---	------------------------------	--

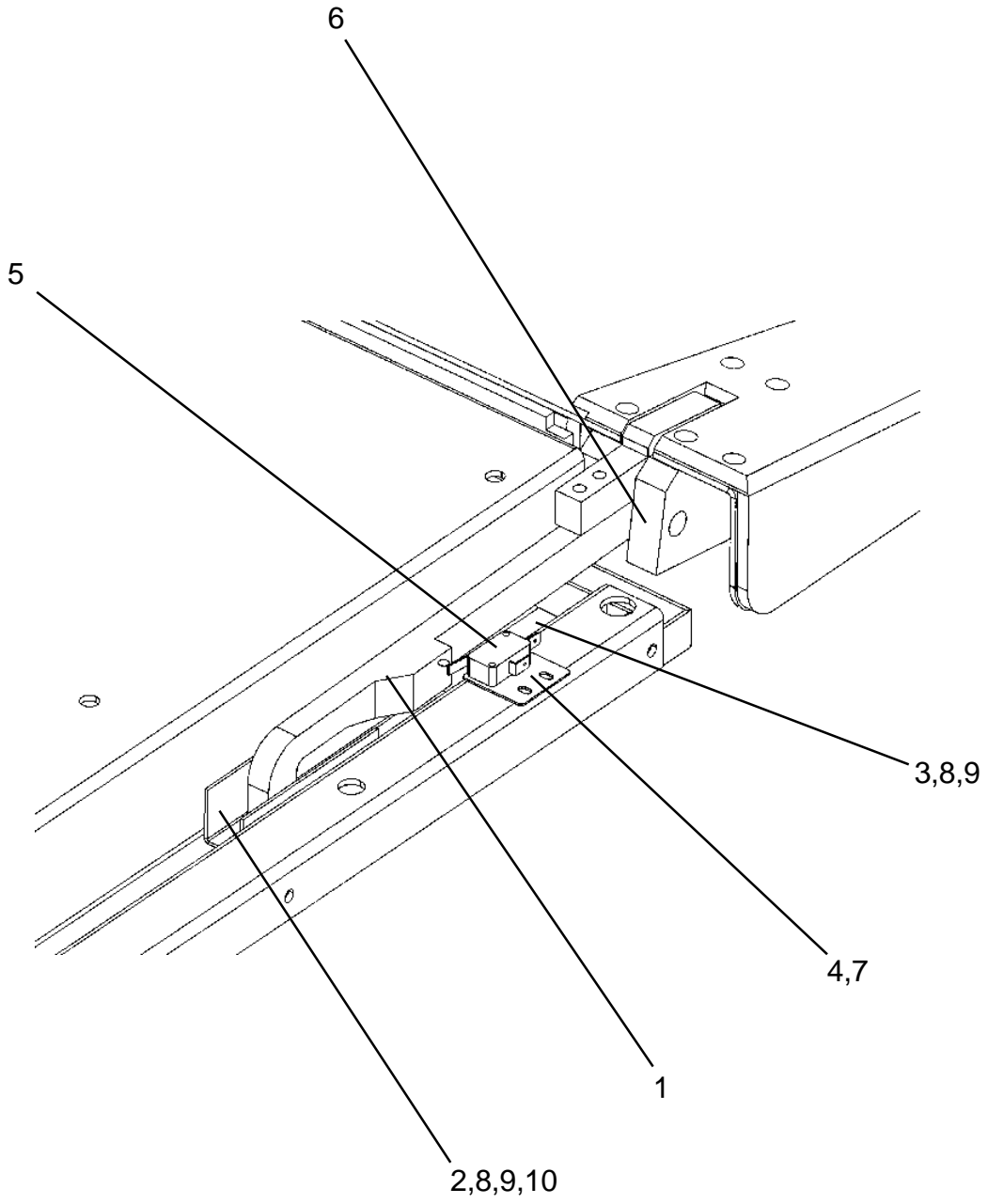
Part No.	Item	Description	No.off	Notes	Ref.
		Top Stop Switch			
50101113	1	Top Stop Switch Plate	1		
50100116	2	Top Stop Switch Cam Rod	1		
50100117	3	Small Cam	1		
50100118	4	Large Cam	1		
90100100	5	3 pin Switch	1		227-5442
90100101	6	2 pin Switch	2		BVM3F ULS
90400101	7	Spring	2		
90300251	8	Grubscrew	2		M5
90300051	9	Washers	4		M8
90300501	10	Circlip	2		8mm
90300154	11	Screw	2		M3 x 16 c/s
90300155	12	Screw	2		M3 x 30 c/s
90300152	13	Nylocs	4		M3
90300252	14	Screw	2		M5x20




BOTTOM STOP SWITCH. (50101112_CSA)

 Freedom to enjoy living	Spare parts section	Steplift Issue 0 50100100 Page 19
--	----------------------------	--

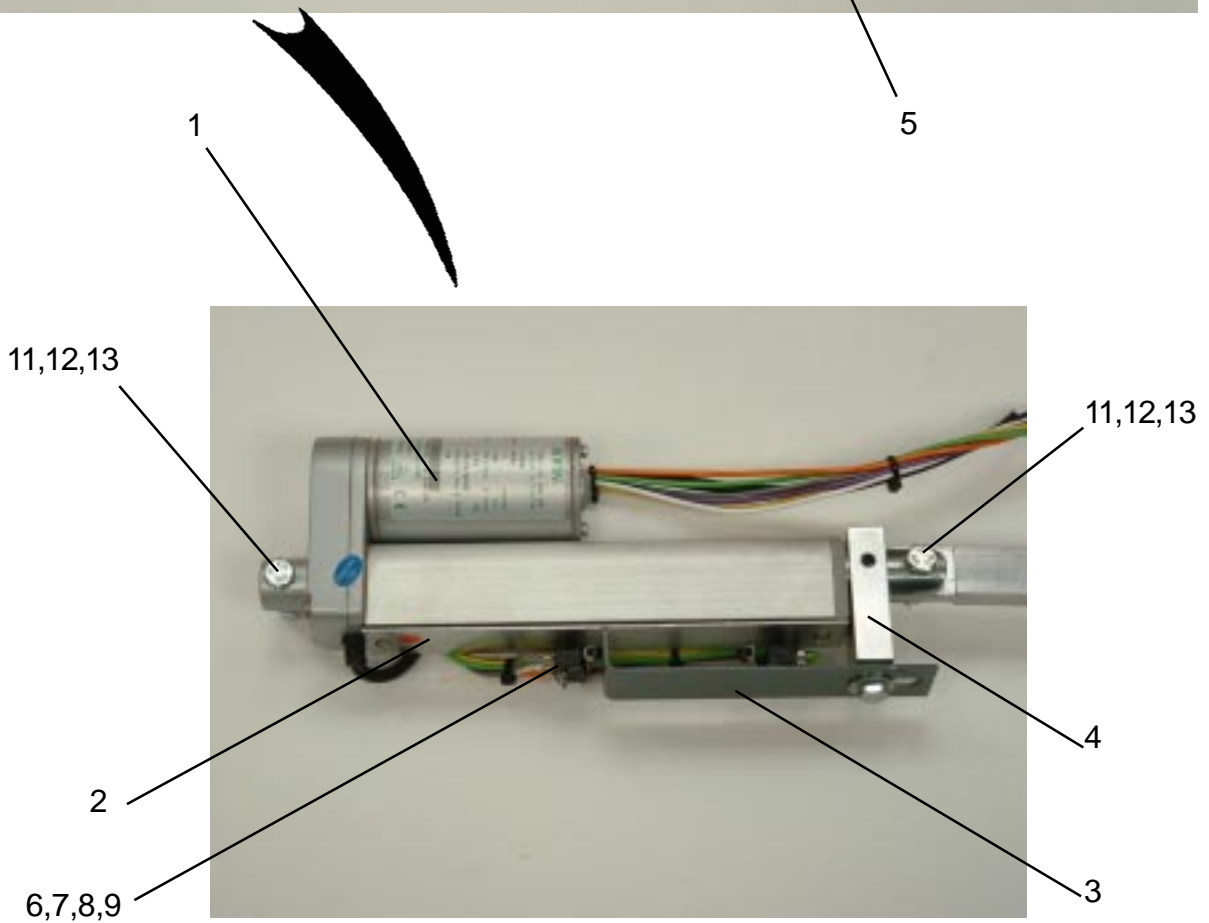
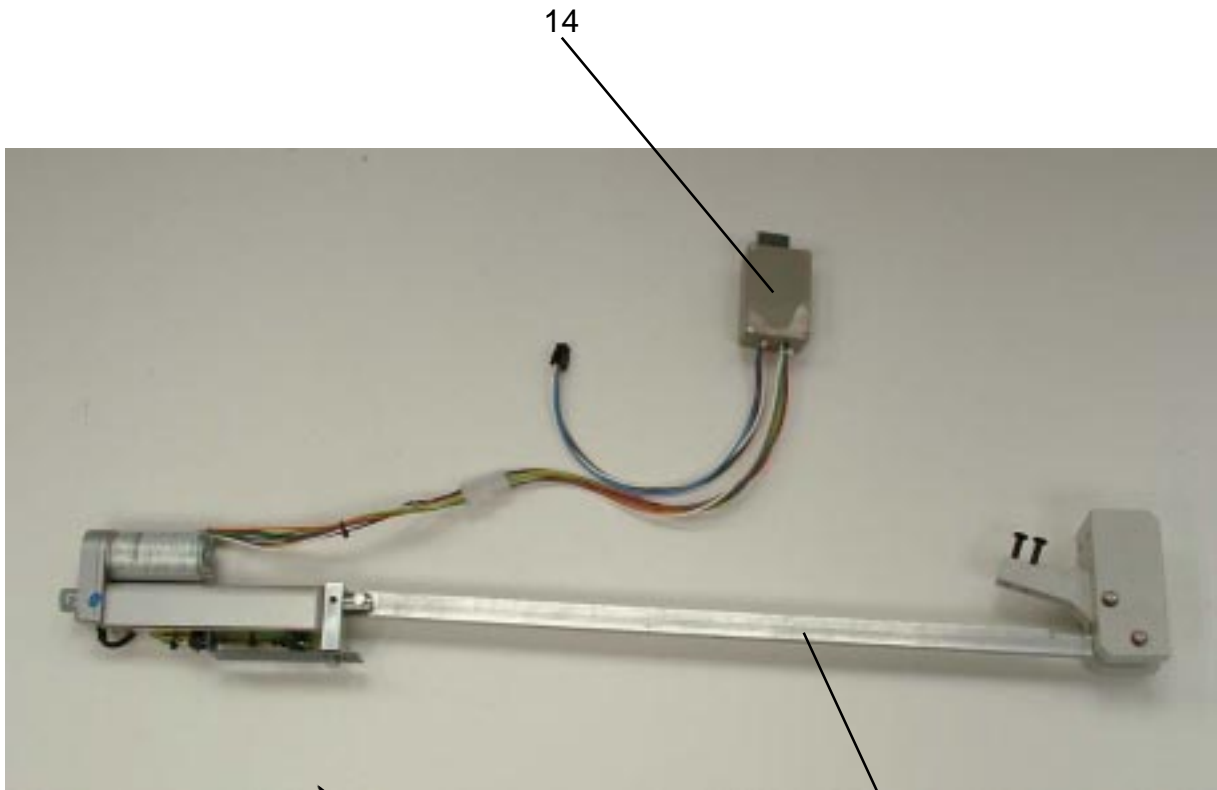
Part No.	Item	Description	No.off	Notes	Ref.
		Top Stop Switch			
50101112	1	Bottom Stop Switch Plate	1		
50100120	2	Down Stop Switch Cam Rod	2		
50100117	3	Small Cam	1		
50100118	4	Large Cam	1		
90100100	5	3 pin Switch	2		227-5442
90100101	6	2 pin Switch	1		BVM3F ULS
90400100	7	Spring	2		SC001
90300251	8	Grubscrew	2		M5
90300351	9	Washers	6		M8
90300501	10	Circlip	4		8mm
90300154	11	Screw	2		M3 x 16 c/s
90300155	12	Screw	2		M3 x 30 c/s




RAMP LOCK SSEMBLY

	<h2>Spare parts section</h2>	Steplift Issue 0 50100100 Page 21
---	------------------------------	---

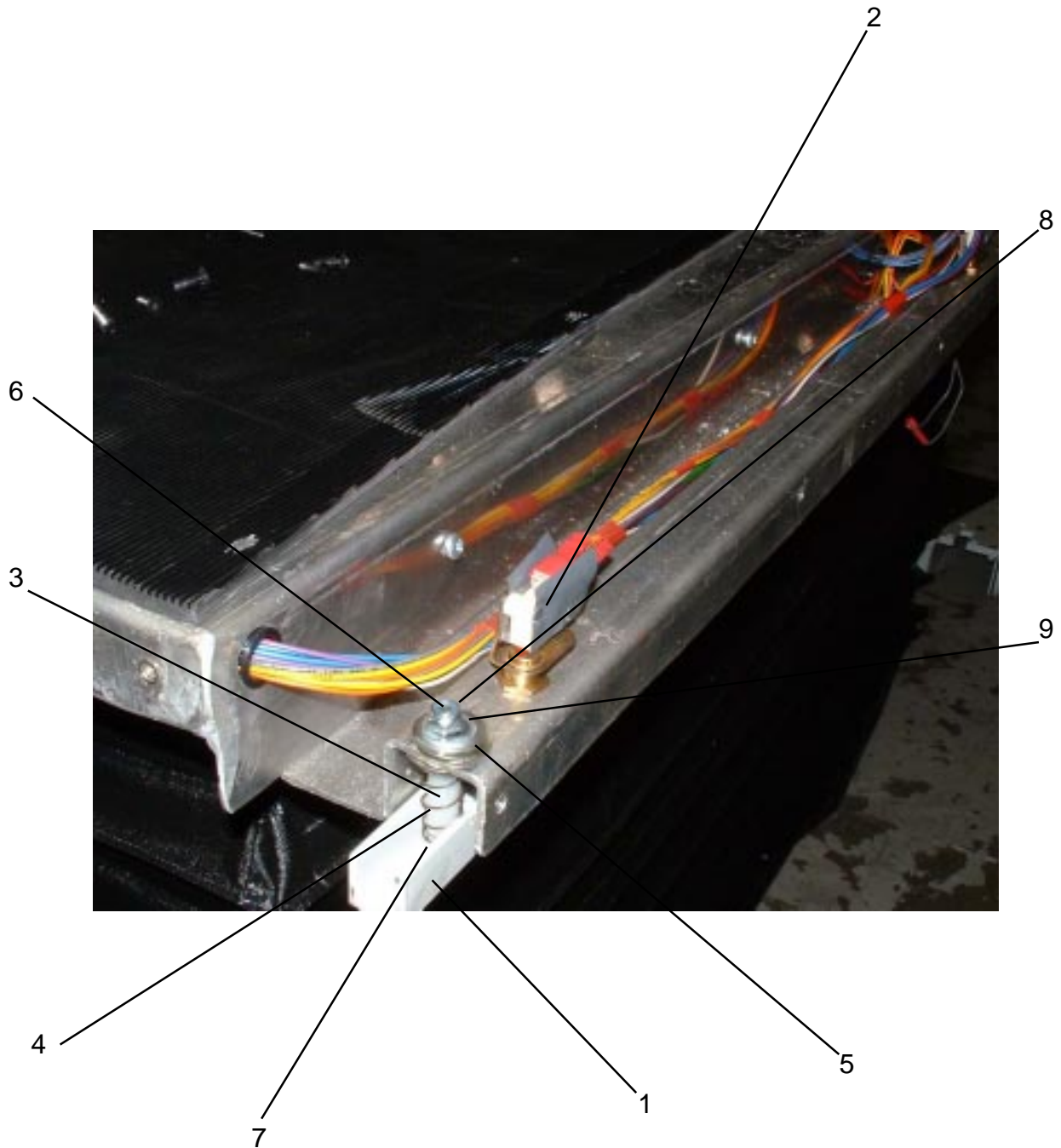
Part No.	Item	Description	No.off	Notes	Ref.
		RAMP LOCK			
50200140	1	Ramp Lock Arm	1		
50200141	2	Ramp Lock Guide	1		
50200142	3	ramp Lock Plunger	1		
50200121	4	Switch Plate	1		
90100125	5	long Arm Roller Micro Switch	1		
90500100	6	Brass Hole Bushing	1		8mm x 12mm x 12
90300452	7	1/4" Self Tapers	2		
90300306	8	Tamperproof	4		M6 x 16 c/s
90300301	9	Washers	6		M6
90300302	10	Nylocs	2		M6




ACTUATOR ASSEMBLY.

	<h2>Spare parts section</h2>	Steplift Issue 0 50100100 Page 23
---	------------------------------	---

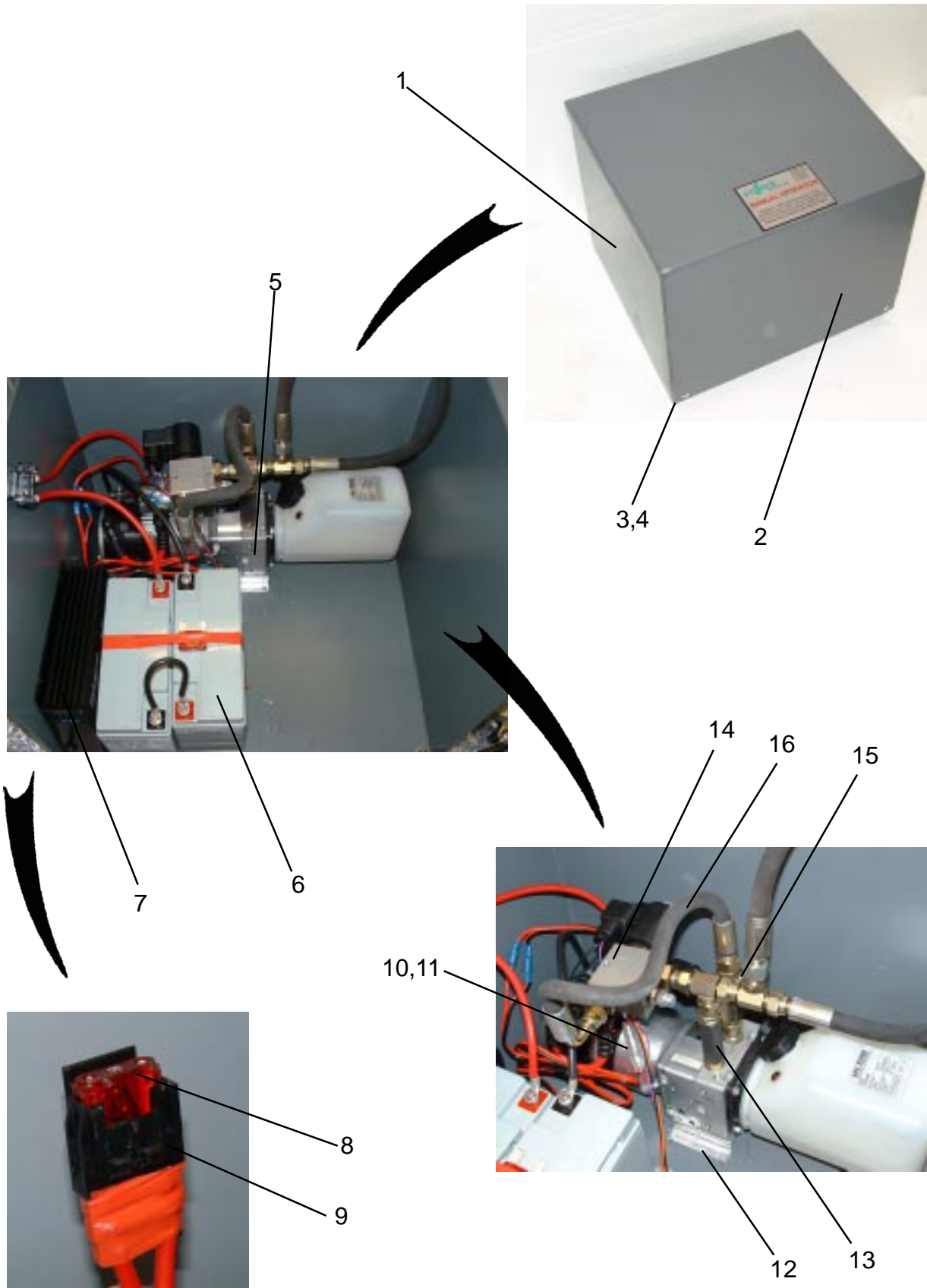
Part No.	Item	Description	No.off	Notes	Ref.
		Actuator Assembly			
90100104	1	Actuator	1		
50200118	2	Actuator switch position plate	1		
50200129	3	Actuator rod switch plate bracket	1		
50201128	4	Actuator rod switch clamp	1		
50200123	5	Actuator Linkage Arm	1		
90100103	6	V4 type roller lever switch	2		159-4629
	7	Hex Spacers	4		
90300101	8	screw	4		2mm
90300100	9	nut	4		2mm
90300253	10	Washer	2		M5
90300305	11	Bolt	2		M6x30
90300302	12	Nyloc	2		M6
90300301	13	Washer	4		M6
50200150	14	Actuator control box complete	1		Manufactured




SENSITIVE EDGE ASSEMBLY.

	<h2>Spare parts section</h2>	Steplift Issue 0 50100100 Page 25
---	------------------------------	--

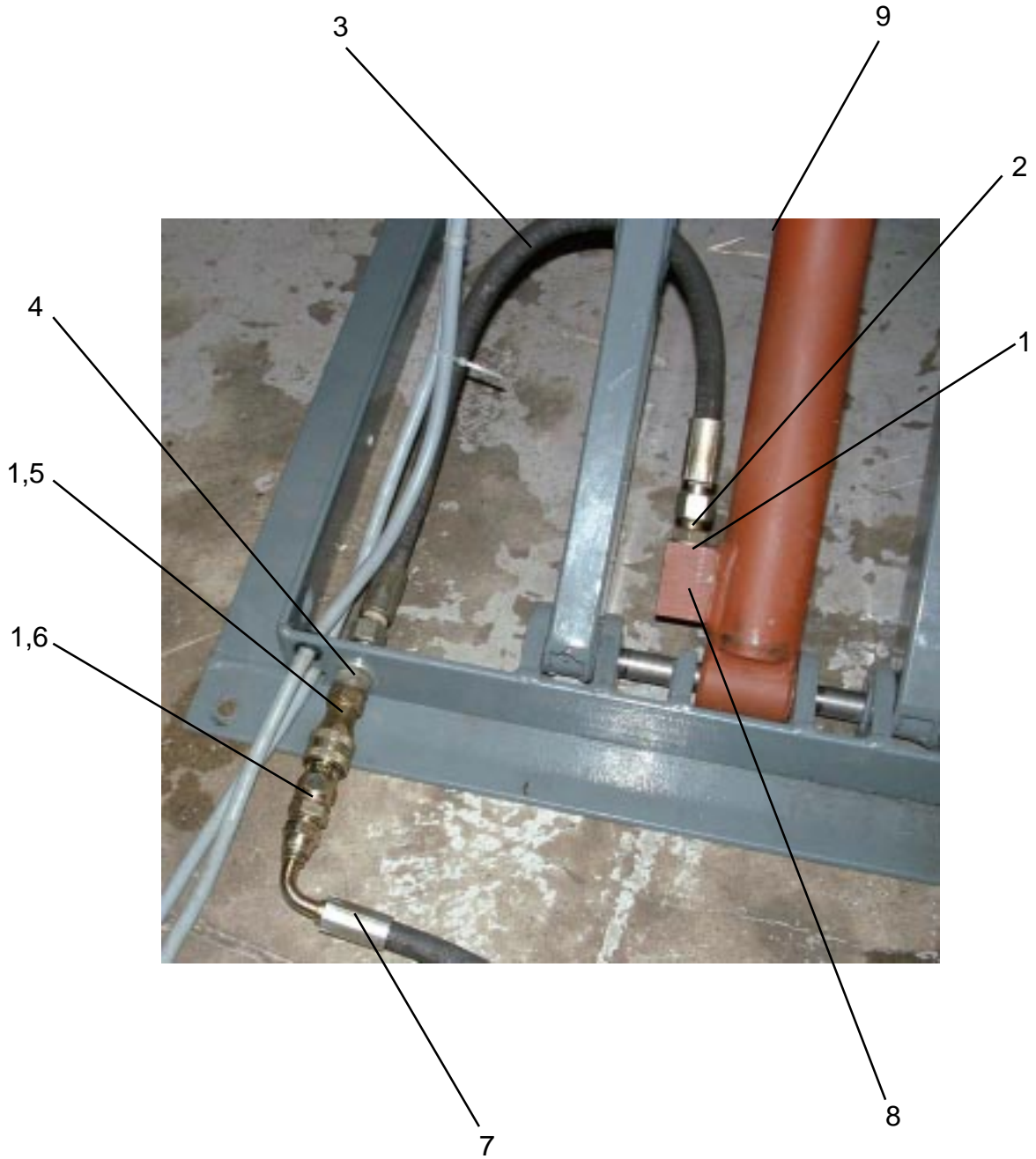
Part No.	Item	Description	No.off	Notes	Ref.
		Ramp Lock			
50201104	1	Sensitive Edge	1		
90100102	2	2 pin plunger switches	6		BVM3FQ1
50200143	3	Nylon Sleeve	6		
90400100	4	Sensitive Edge Spring	6		SC001
90300401	5	Washer	12		M10
90300304	6	Screw	6		M6 x 55
90300303	7	Plain Nut	6		M6
90300302	8	Nyloc	6		M6
90300301	9	Washer	6		M6




PUMP BOX.

	<h2>Spare parts section</h2>	Steplift Issue 0 50100100 Page 27
---	------------------------------	--

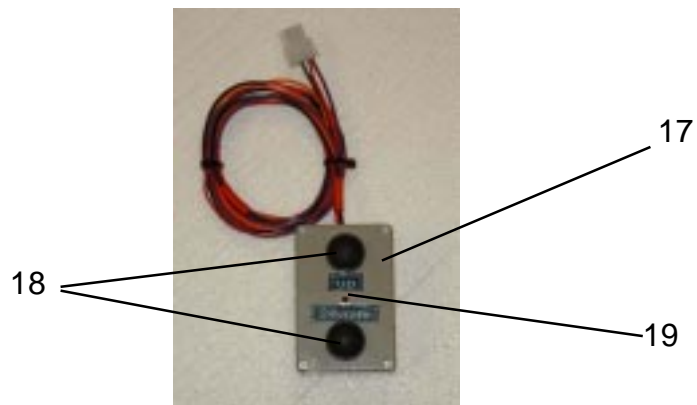
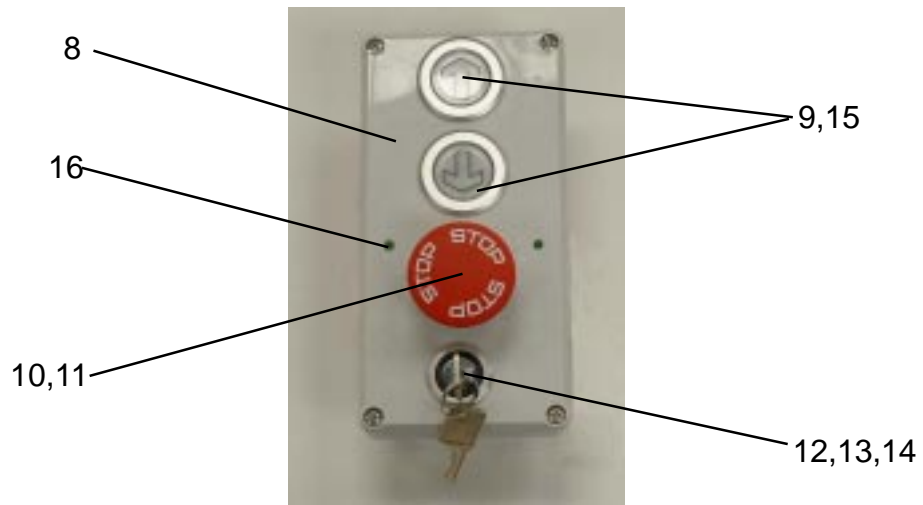
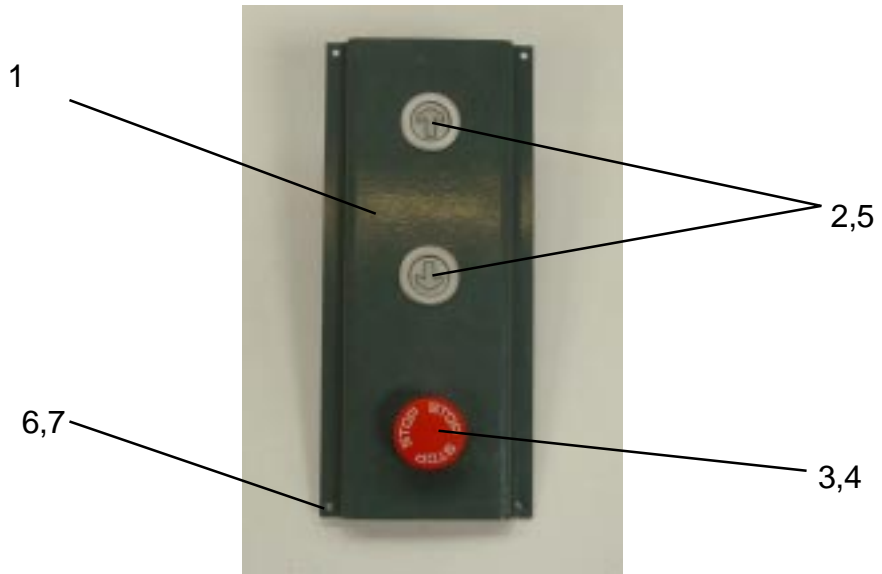
Part No.	Item	Description	No.off	Notes	Ref.
		Pump Box Assembly			
50300100	1	Pump Box	1		
50300102	2	Pump Box Lid	1		
90300551	3	6mm Nutserts	4		
90600100	4	Black Rubber Buffer	4		D20/15 M6 15-57
90200100	5	Pump Unit	1		HDZ 446
90100141	6	Batteries	2		es 18-12 (12V 18Ah)
90100142	7	Mascot 3 Step Charger	1		24V 5 Amp Type 9740
90100143	8	Maxi Fuse Holder	1		EFH7- 250-6285
90100144	9	Maxi Fuse Red 50As	1		EFBZ40 219-3586
90100145	10	Clear Fuse Holder	1		20mm -6.3A 414-601
90100146	11	Fuse	1		T6.3Ah 250V
50300101	12	Pump Unit Mounting Plate	1		
90200113	13	1/4" Non return Valve	1		
90200114	14	3/8" Solenoid Block Complete	1		
90200115	15	1/4" Flow Control Valve	1		
90200116	16	Pump Hose 90 - ST	1		




HYDRAULIC RAM

	<h2>Spare parts section</h2>	Steplift Issue 0 50100100 Page 29
---	------------------------------	--

Part No.	Item	Description	No.off	Notes	Ref.
		Hydraulic Ram Assembly			
90200101	1	Dowty Seal	3		1/4"
90200103	2	Adaptor	2		1/4" MM P/P
90200117	3	Ram Hose	1		
90200108	4	Bulkhead Adaptor	1		1/4"
90200109	5	Female QRC	1		1/4"
90200110	6	Male QRC	1		1/4"
90200118	7	3 M Connection Hose	1		
90200111	8	Burst valve	1		1/4"
90200112	9	Breather Cap	1		1/4"



STEPLIFT CONTROLS

	<h2>Spare parts section</h2>	Steplift Issue 0 50100100 Page 31
---	------------------------------	--

Part No.	Item	Description	No.off	Notes	Ref.
		Control Panel Assembly			
50200111	1	Control Panel Plate	1		
90100127	2	up/down Switch Complete	2		14-131-012
90100128	3	Stop Switch Module	1		EAO-704.910.2
90100129	4	Emergency Stop Button	1		704.075.3
90100130	5	Lamps	2		24V - 50 mA
90300204	6	Button Head Screws	4		M4 x 12
90300201	7	Washers	4		M4
		Wall box Assembly			
90100134	8	Enclosure	1		
90100127	9	up/down Switch Complete	2		14-131-012
90100128	10	Stop Switch Module	1		EAO-704.910.2
90100129	11	Emergency Stop Button	1		704.075.3
90100135	12	Key Switch	1		61-2101.O/D
90100136	13	Key Switch Bezel (outer)	1		61-9932.0
90100137	14	Key Switch Bezel (inner)	1		
90100130	15	Lamps	2		24 V - 50mA
90100138	16	Green LED	2		3mm
		Hand Operation Box			
90100131	17	Enclosure	1		502-635
90100132	18	Black Push Button Switch	2		RS 157-3650
90100133	19	Red LED	1		3mm LVR33D