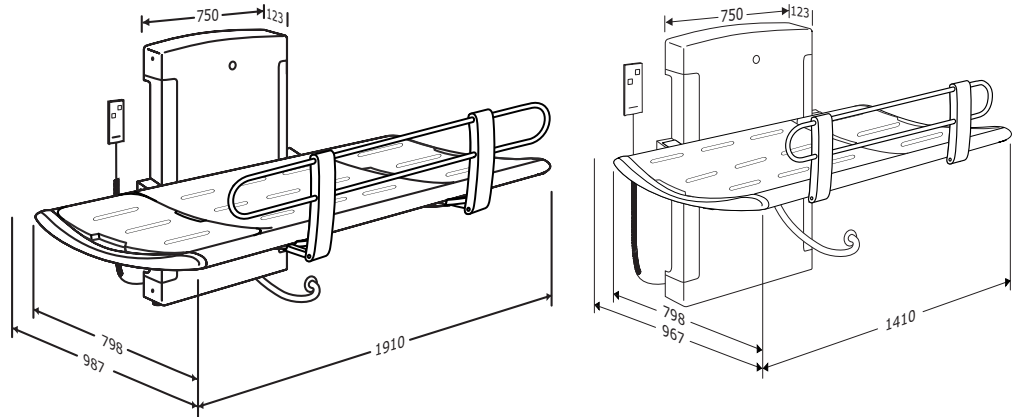


Product	Nursing bench with electric motor			
Product code	<b>R8513</b>	<b>R8518</b>	<b>R8533</b>	<b>R8538</b>
Variant	Without safety rail	Without safety rail	With safety rail	With safety rail
Adjustment height	700 mm	700 mm	700 mm	700 mm
Operation	Hand control	Hand control	Hand control	Hand control
Maximum load (evenly distributed)	200 kg	200 kg	200 kg	200 kg
Material and surface treatment	Powder-laquered stainless steel, aluminium, plastics. Surface mattress: Polyurethane foam.			
Accessories	Safety rail (R8510)	Safety rail (R8511)	-	-
Weight	72,4 kg	77,6 kg	76,5 kg	82,4 kg
Mains connection	230V, 50/60 Hz (USA 120V and Japan 100V)			
Actuator (motor)	LA31 Careline, <a href="#">314100+11350X2H</a> , 311573-02, 6000 N, IPX6-classified			
Control box	CB9 Careline, <a href="#">CB9260AE1+0001A</a> , 24V with earth, IPX6-classified			
Hand control	<a href="#">HB7X040-03</a> , IP66-classified			
Power consumption	At maximum load:	70 W		
	Standby:	2 W		
Speed up/down	No load:	Up: 18 mm/second – Down: 20 mm/second		
	With 80 kg load:	Up: 15 mm/second – Down: 20 mm/second		
Noise level	48 dB			
Mounting	See <a href="#">mounting instruction</a> .			
Cleaning	See <a href="#">cleaning instruction</a> .			
Price	See valid price list.			
Guarantee	Pressalit Care makes a commitment to remedy material and manufacturing defects for a period of three years from the invoicing date.			
Manufacturer	Pressalit Care Pressalitvej 1 DK-8680 Ry			
CE	The CE mark indicates that this product has been manufactured in accordance with Directive 2007/47/EC of 5 September 2007 on medical devices.			
WEEE	See <a href="#">WEEE</a> .			

Product

Nursing bench with electric motor

Drawing



Facts about the product

- The slightly curved form makes the bench extremely comfortable and safe.
- Adjustable head support can be placed at both ends.
- The water collection tray is equipped with an integrated water outlet that prevents water from splashing on carers or the floor. The flexible hose can be connected to either an outlet in the floor or on the wall.
- The integrated gas cylinder enables the bench to be folded easily against the wall when not in use to maximise floor space.
- The safety rail can be folded easily up or down using only one hand.



Pressalit Care, Ry, Denmark



[www.pressalit.com](http://www.pressalit.com)

Pressalit A/S  
Pressalitvej 1  
DK-8680 Ry  
Tel.: +45 8788 8788  
Fax: +45 8788 8789  
E-mail: [pressalit@pressalit.com](mailto:pressalit@pressalit.com)

Int. Sales Department  
Pressalitvej 1  
8680 Ry  
Denmark  
Tel.: +45 8788 8777  
Fax: +45 8788 8669  
E-mail: [sales@pressalit.com](mailto:sales@pressalit.com)

PRESSALIT®  
care