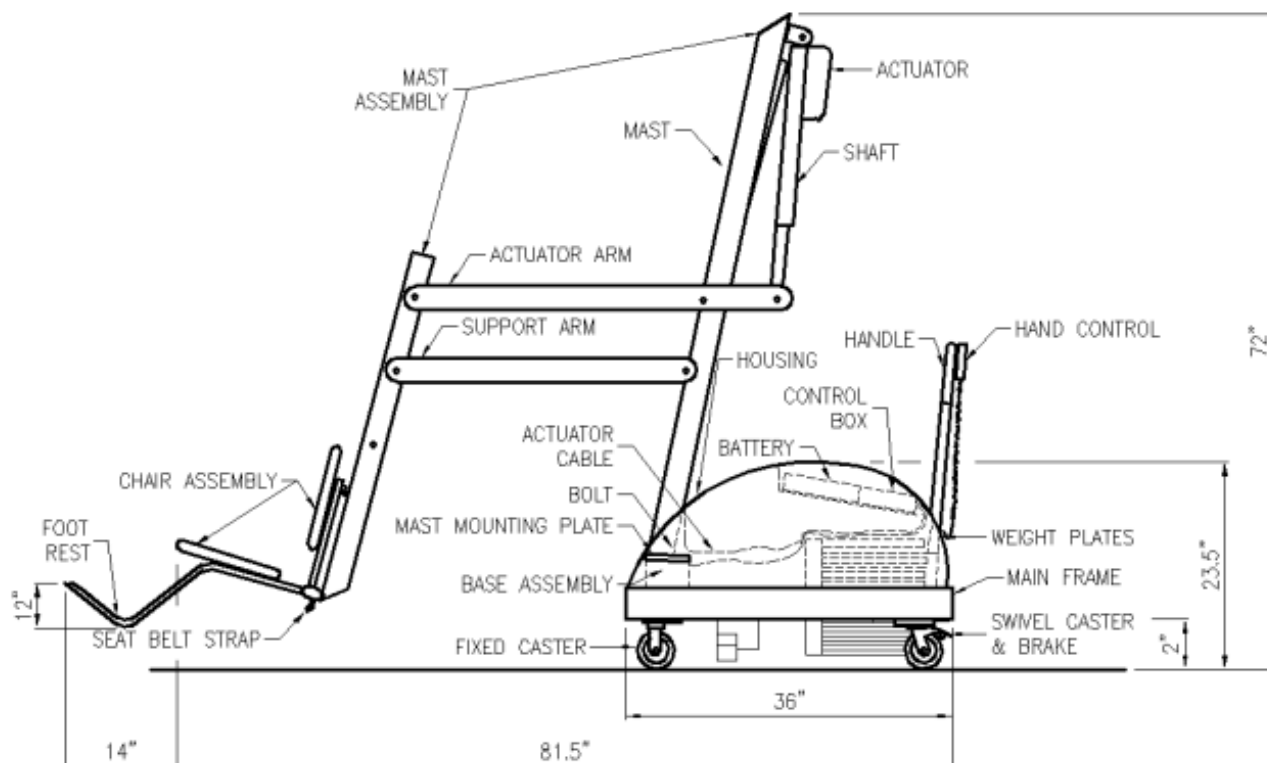


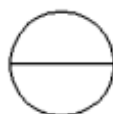
RMT AQUATICS

RMT AQUATICS
 14008 S.W. 140 ST.
 MIAMI, FLORIDA 33186
 1-800-577-4424
 PHONE: (305) 255-1400
 FAX: (305) 969-2155
 www.poollifts.com



NOTES:

1. INSTALLATION TO BE COMPLETED IN ACCORDANCE WITH MANUFACTURER'S SPECIFICATIONS.
2. DO NOT SCALE DRAWINGS.
3. LIFTING CAPACITY: 300 LB.
4. TOTAL TRAVEL WITH STANDARD ACTUATOR BETWEEN 44° AND 58°.
5. SEAT DEPTH 18"-20" BELOW WATER LINE.
6. 240° TOTAL ROTATION.
7. CONTRACTORS NOTE: FOR PRODUCT AND PURCHASING INFORMATION VISIT www.PROJECTmarketsite.com
 REFERENCE NUMBER 577-001



PAL-1000 PORTABLE POOL LIFT

COMPONENT IDENTIFICATION, SIDE VIEW