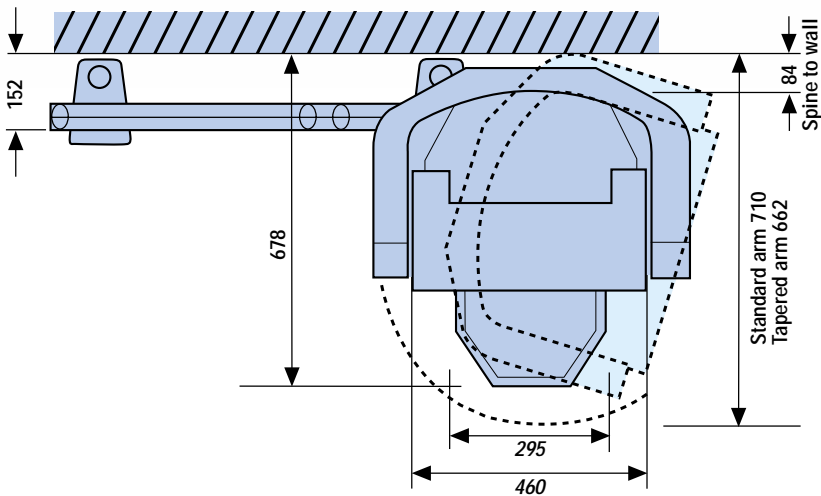
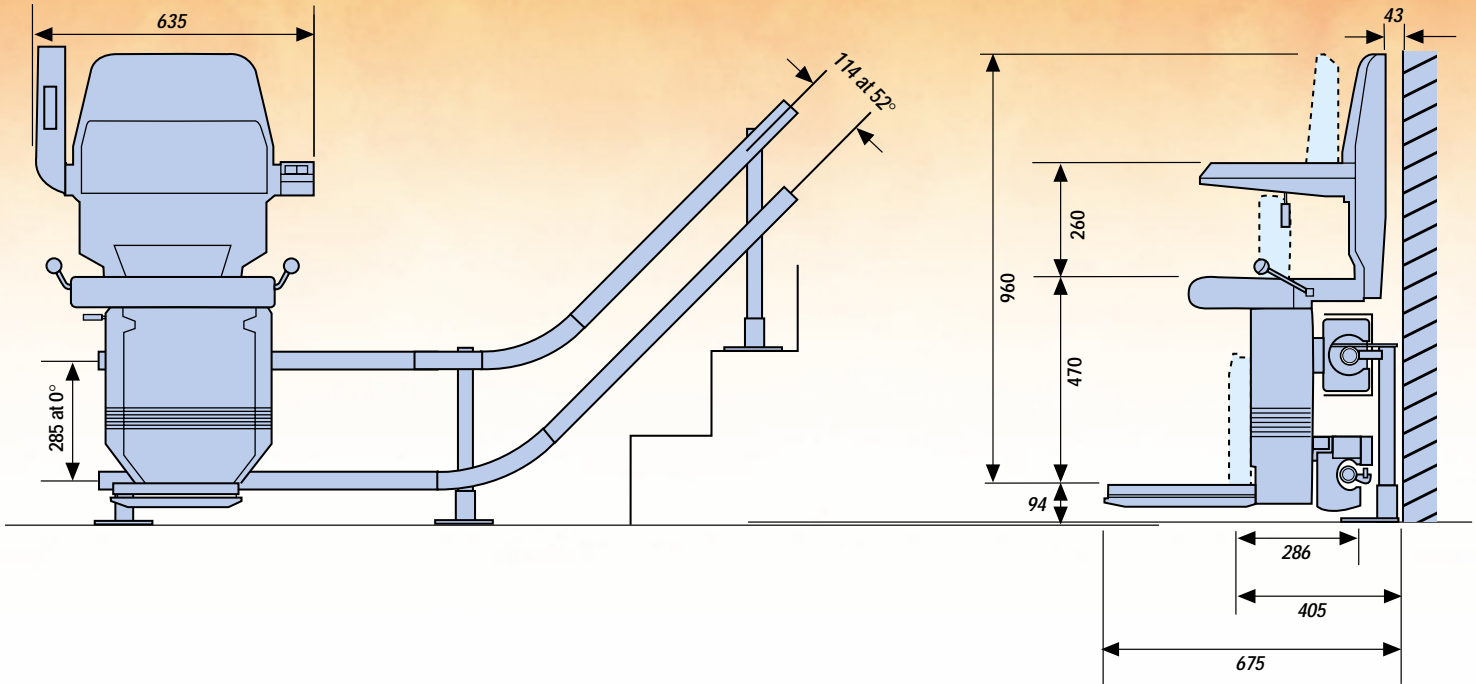


# 260SR

## Dimensions

# dimensions



### Dimensions:

All dimensions measured from the wall are nominal. The addition of a wide stringer or similar obstruction, may affect the dimensions taken from this point. All measurements are in millimetres.



The world's most chosen stairlift

**Rail**

<b>Construction</b>	Two steel tubes, one above the other, tailored to suit individual staircases.
<b>Finish</b>	Epoxy powder-coated to match carriage. Choice of two colours.
<b>Fixing</b>	Legs with base-plate, screwed to floor and staircase, shrouded.
<b>Min. Length of Rail</b>	1.5m.
<b>Max. Length of Rail</b>	Drawing office to advise.
<b>Rail Section Size</b>	44.5mm dia. (each tube).
<b>Nominal Distance of Rail from Wall</b>	130mm to centre of tubes on straight run.
<b>Min. Stair Nose to Rail</b>	73mm to bottom of lower tube.
<b>Rail Overhang at top</b>	Min: 0mm. Max: to suit customer requirements.
<b>Rail Wiring</b>	Inside tube section.
<b>Drive Method</b>	Rack-and-pinion mounted on lower tube.
<b>Rail Spacing</b>	Min: 114mm (52° incline). Max: 285mm (horizontal).
<b>Max. Rail Incline</b>	52°.

**Carriage**

<b>Construction</b>	Steel fabrication.
<b>Finish</b>	Epoxy powder-coated to match rail. Choice of two colours.
<b>Motor</b>	DC powered, 0.26 kW.
<b>Start</b>	Cushioned start/stop.
<b>Speed</b>	0.12 m/s. Speed slows to travel around any inside bends
<b>Electronics</b>	Microprocessor control unit.
<b>Safety Features</b>	Overspeed governor stops carriage at 0.3 m/s max. RMU fitted as standard. Safety pads operate safety switches located around carriage. Stairlift operates in the event of power cuts.
<b>Servicing</b>	Annually.
<b>Batteries (carriage)</b>	2 x 12 volt – 7 Ah Standard – 12 Ah Heavy usage
<b>Noise level (dBA)</b>	Maximum operating level, 70 dBA

**Seat**

<b>Seat Type</b>	Armchair seat - swivels to face landing at top of stairs.
<b>Materials</b>	Injection moulded ABS plastic over steel, trimmed with PVC/nylon fabric. Upholstery conforms to British Standards BS7176 for resistance to ignition.
<b>Armrests</b>	Two sturdy hinged armrests, one housing directional controls.
<b>Switches</b>	Removable 'on/off' key under arm. Two low pressure switches for up/down. On/off rocker switch on arm. Battery isolator switch mounted on the carriage.
<b>Fault Diagnosis</b>	Lights on arm show: 1. The stairlift is ready to operate (green). 2. The stairlift is charging (amber).
<b>Load</b>	Up to 120kg - approx. 19 stone.
<b>Manual Swivel Control</b>	Once the stairlift has reached the top landing, push down on the swivel lever to release the swivel mechanism which allows the seat to be turned manually.
<b>Power Swivel Option</b>	Once the stairlift has reached the top landing, continue to press the 'up' button to swivel the seat towards the landing. Pressing the 'down' button returns the seat to its travelling position.

**Footrest**

<b>Construction</b>	Cast aluminium alloy.
<b>Finish</b>	Epoxy powder-coated to match carriage. Choice of two colours.
<b>Carpet</b>	Pile with latex back, conforms to BS4790.
<b>Safety</b>	Safety pads operate safety switches in direction of travel.

**Other fittings**

<b>Landing Call Switches</b>	Surface-mounted remote control at top and bottom of stairs has soft-touch up/down switches. Powered by 9V PP3 battery.
<b>Charge Unit</b>	Wall or floor mounted, 24V DC output two stage unit.



**Design, manufacture and installation:**  
Stannah model 260 and components have been tested and approved to BS 5776 1996, CSA, TUV, DLI, Machinery Safety Directive 98/37/EC, Low Voltage Directive 73/23/EEC and EMC Directive 89/336/EEC.

Our company policy is one of continuing product improvement. We therefore reserve the right to alter the specifications and to change and improve the design at any time. Full operating instructions are supplied for all products.

Stannah Stairlifts Sept 2001  
STAIR/260SR/051

www.stannah.com

Stannah Stairlifts Limited, Watt Close, Andover, Hampshire, SP10 3SD, England  
Tel: +44 (0) 1264 364311 Fax: +44 (0) 1264 362276 e-mail: marketing@stannah.co.uk

Dealer stamp



The world's most chosen stairlift