

WALL LIFT

A versatile solution for many situations.

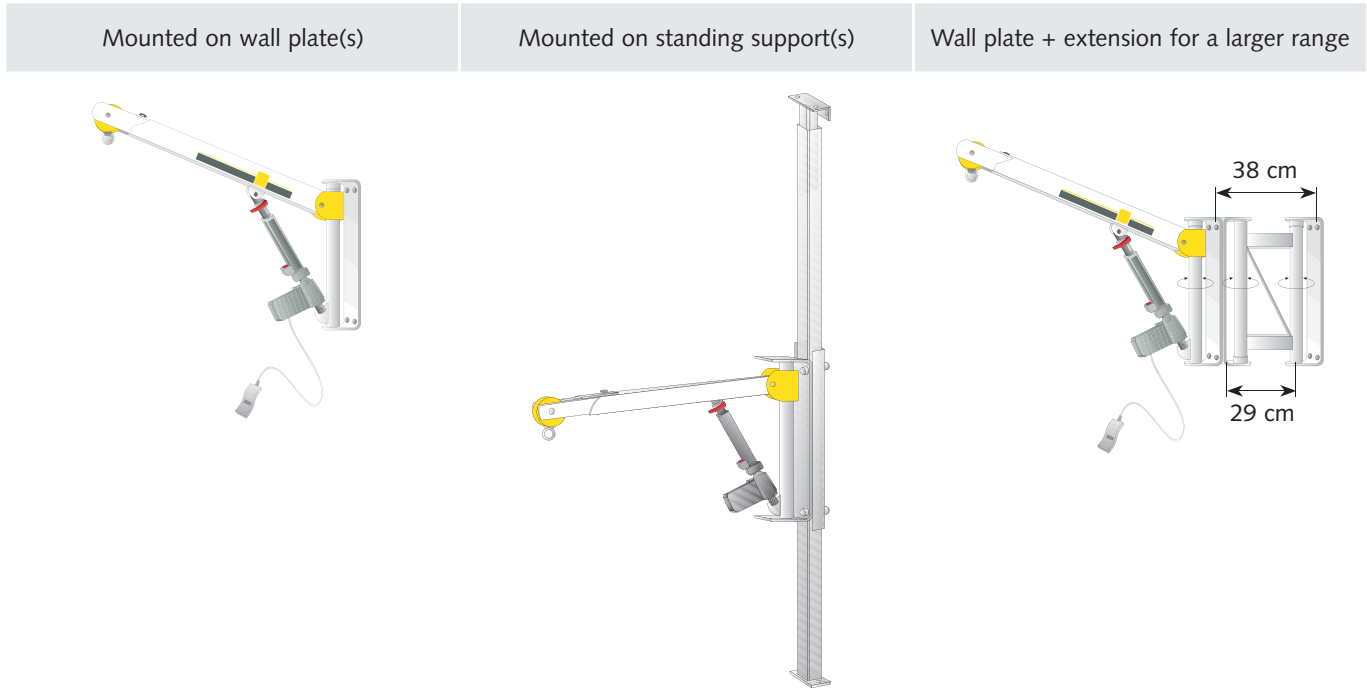


- Portable lifting device
- Wall or floor mounted
- Easy to remove and re-use
- Perfect for areas where access is restricted
- Accommodates both the body support and conventional slings
- Extendible boom arm
- Rotating range 180°
- An economical solution



TECHNICAL SPECIFICATIONS

THREE POSSIBILITIES FOR FIXATION

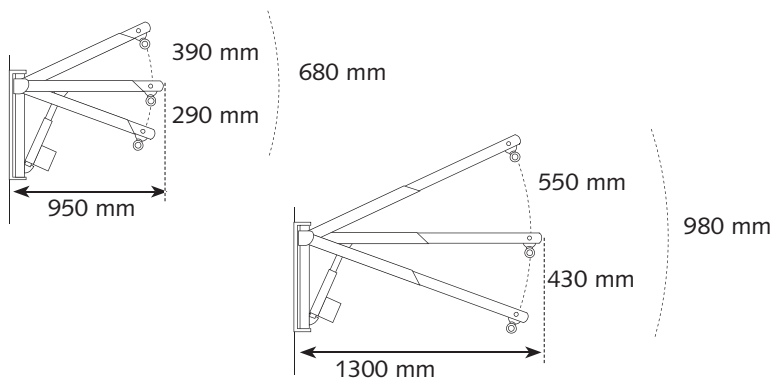


DIMENSIONS AND SPECIFICATIONS

- Actuator directly on the mains power with pneumatic handcontrol
- Actuator on 24 V DC transformer with emergency power facilities and electric handcontrol

Safe working load	145 kg	
Wall plate	width	140 mm
	height	687 mm
Standing support	outside dimensions	80 x 50 mm
	max. height	3000 mm
Boom arm	extendible	
Weight	16 kg	
Safety mechanism	built-in	

LIFING RANGE



For free demonstration or further information :

Dolphin Mobility,
37 Chertsey Road,
Chobham,
Surrey, GU24 8PD
Tel: 0800 9800 126
Email: hm@dolphinlifts.co.uk
web: www.dolphinlifts.co.uk