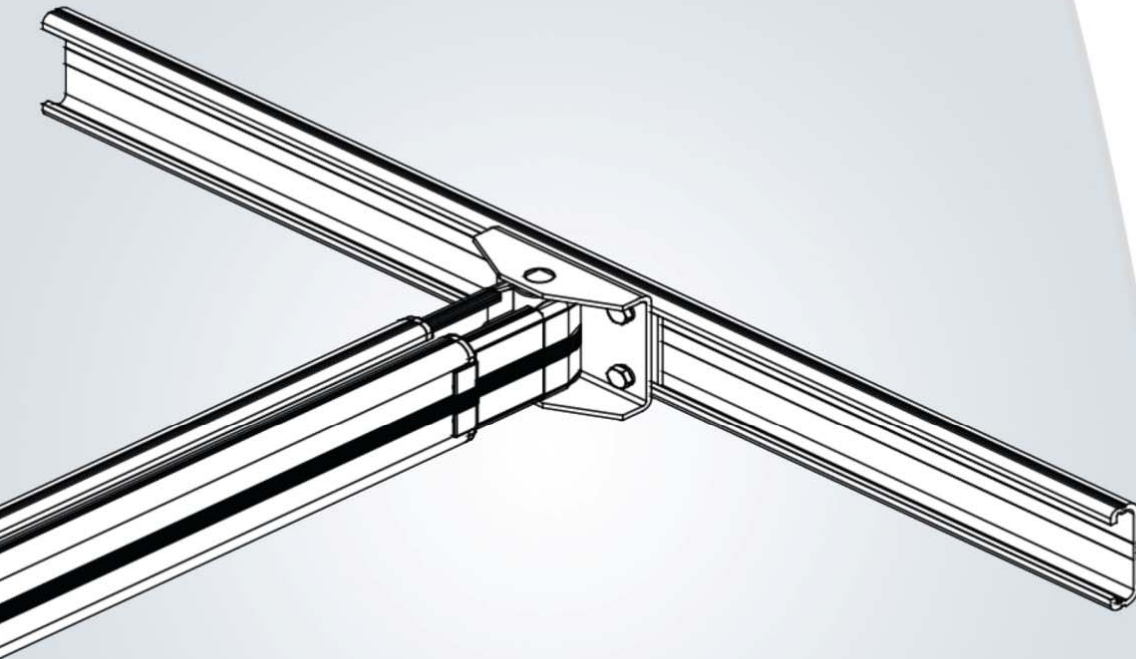


EASYTRACK® WALL MOUNT ADAPTOR

MODEL #700.10860

INSTALLATION AND PRODUCT CARE INSTRUCTIONS



Design Policy and Copyright

® and ™ are trademarks belonging to the ArjoHuntleigh group of companies.

© ArjoHuntleigh 2012.

As our policy is one of continuous improvement, we reserve the right to modify designs without prior notice.

The content of this publication may not be copied either whole or in part without the consent of ArjoHuntleigh.

TABLE OF CONTENTS

GENERAL INFORMATION	3
MANUFACTURER INFORMATION	4
SAFETY INSTRUCTIONS.....	4
REQUIREMENTS.....	4
IMPORTANT SAFETY DIRECTIONS	5
GETTING STARTED	5
WHAT'S INCLUDED (WALL MOUNT ADAPTOR)	7
ASSEMBLY	8
ASSEMBLY FOR WALL BRACKET EASYTRACK SYSTEM.....	8
REQUIRED ELEMENTS	8
SPECIFICATIONS.....	11
EASYTRACK WALL MOUNT ADAPTOR SPECIFICATIONS	11
WALL MOUNT ADAPTOR DIMENSIONS	11
MAINTENANCE	12
NOTES.....	13

GENERAL INFORMATION

WARNING:	Failure to understand and follow these instructions may result in injury to yourself and others.
CAUTION:	Failure to follow these instructions may cause damage to the product.
NOTE:	This is important information regarding the correct use of the equipment.

WARNING:	Do not operate this equipment without first reading and understanding this manual. Should you be unable to understand the warnings, cautions and instructions, contact your local dealer before attempting to use this equipment. Otherwise injury or damage may result.
-----------------	---

WARNING:	Maintenance MUST be performed ONLY by qualified personnel.
-----------------	--

SAVE THESE INSTRUCTIONS AND KEEP WITH EASYTRACK AT ALL TIMES.

MANUFACTURER INFORMATION

This product has been manufactured by:

ArjoHuntleigh AB
Hans Michelsensgatan 10
211 20 Malmö
SWEDEN

SAFETY INSTRUCTIONS

NOTE: This instruction manual is for the installation of the Easytrack Wall Mount Adaptor only. For more information about the Easytrack system, please refer to the specific Easytrack System *Instructions for Use*.

WARNING: The Easytrack system and its accessories are intended to be used as an assistive device for transferring a person between the posts. The Easytrack system is only to be used with the ArjoHuntleigh Portable lift.

WARNING: Failure to meet requirements listed below could result in serious bodily harm.

REQUIREMENTS

- ◆ The Wall Mount Adaptor should be installed by a licenced contractor. Installation of the Wall Mount Adaptor by someone unskilled will void ArjoHuntleigh warranty and may cause serious injury or damage.
- ◆ A maintenance check should be done every month to ensure the rail is levelled (see the "Maintenance" section in this manual).
- ◆ Protect the Easytrack system and its accessories during transport.
- ◆ WALL REQUIREMENTS: - WOOD STRUCTURE – MINIMUM 2" X 3" STUDS
- CONCRETE STRUCTURE
- ◆ DO NOT install if wall does not meet requirements.
- ◆ DO NOT install on a steel structure.

WARNING: USE ONLY AS INTENDED – This product may cause serious injury if not installed and operated according to the *Instructions for Use*.

IMPORTANT SAFETY DIRECTIONS

WARNING: Failure to observe Safety Directions listed below could result in serious injury.

Before you install the Easytrack system:

- ◆ Carefully inspect product upon arrival. If any component is missing (see Figure 8) or appears to be damaged, do not install the Easytrack system. Arrange for repair/replacement of any faulty parts by contacting your local distributor for further instructions.
- ◆ If you are unsure of the strength or stability of your wall, do not install the Wall Mount Adaptor. Consult your local distributor.
- ◆ Do not install on a wall with water damage.
- ◆ Do not drop product, because it may cause breakage.
- ◆ Do not completely submerge the Easytrack system in water.
- ◆ Do not attempt to over-extend the rail past the locking point.

WARNING:

- ◆ Do not use the Easytrack system as a swing.
- ◆ Refrain from swinging patient sideways of rail.

GETTING STARTED

Upon receipt of your Easytrack Wall Mount Adaptor:

WARNING: Read the "Requirements" and "Important Safety Directions" sections before attempting to assemble the Wall Mount Adaptor.

- ◆ Survey the room where you plan to install the Easytrack Wall Mount Adaptor.
- ◆ Make sure the room meets all the specifications outlined in the section "Requirements".
- ◆ Use the measurements below to determine the best place to put the Easytrack system :
 - ◆ Over a bed – approx. 915 – 1020 mm/36 - 40 in from the head of the bed (see Figure 1);
 - ◆ Over a tub – approx. 400 – 460 mm/16 – 18 in from the end of the tub (see Figure 1);
 - ◆ Allow 915 mm/ 36 in of open area for transfer working space (see Figure 2);
 - ◆ Allow a minimum of 1340 mm/53 in from the bottom of the rail to the top of any object to be transferred over (see Figure 3).

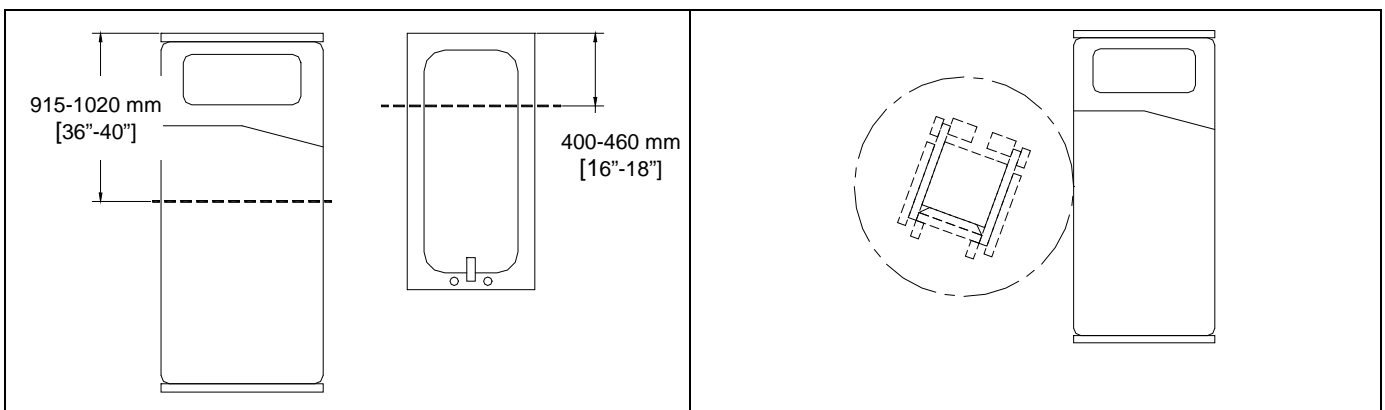


Figure 1

Figure 2

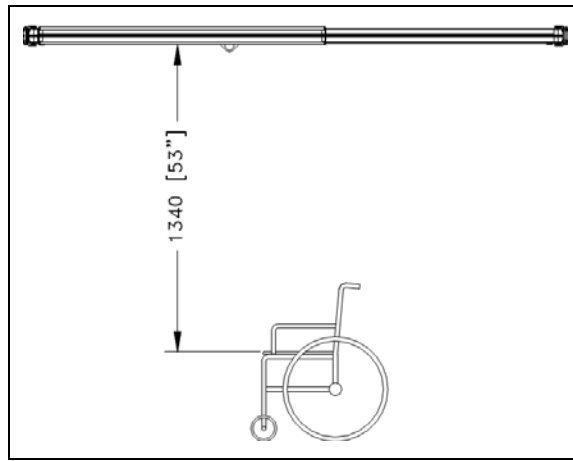


Figure 3

- ◆ Transfers should only take place under the Easytrack rail (see **Figure 4** and **Figure 5**).

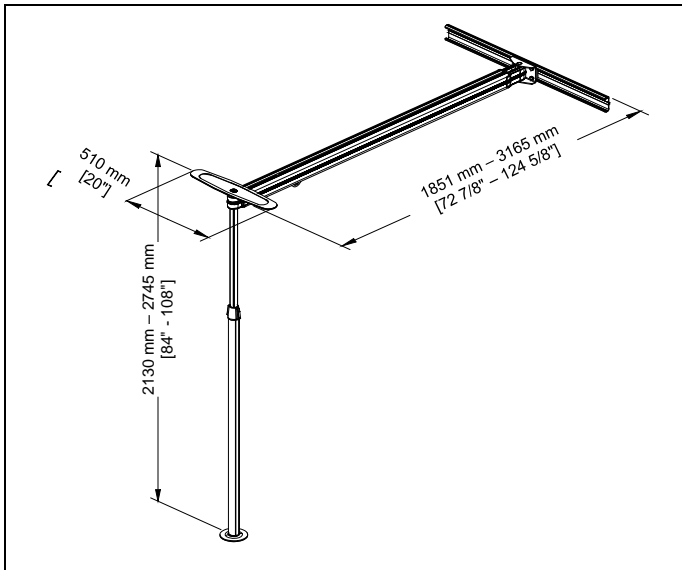


Figure 4

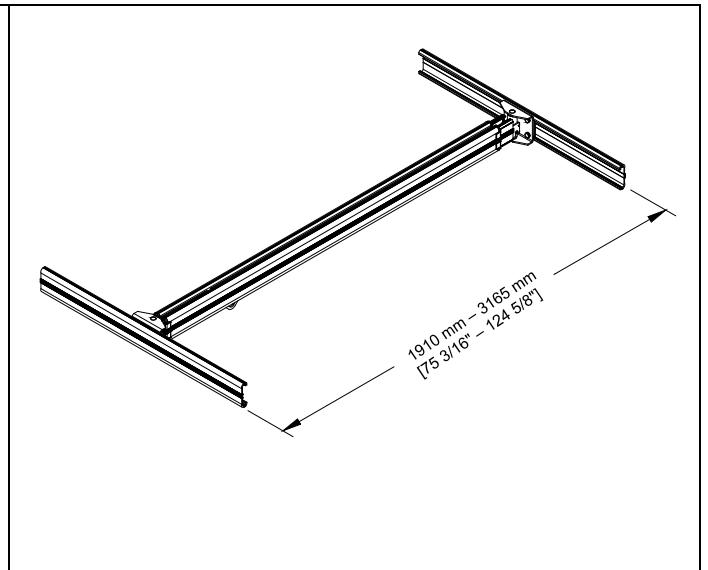


Figure 5

- ◆ The Wall Mount Adaptor may be installed on either a concrete wall or wood-framed wall. For wood, the Wall Mount Adaptor must be attached to a minimum of three (3) 2 X 3 studs. DO NOT attempt to install the wall mount on less than three (3) studs (see **Figure 6**).

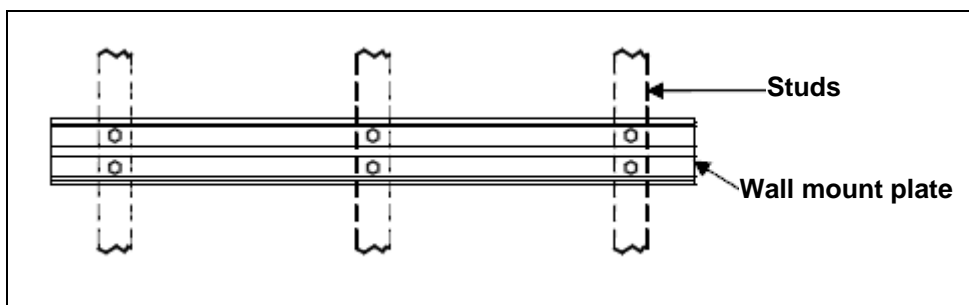


Figure 6

- The Wall Mount Adaptor must be positioned on the wall to ensure that the angle between the wall and the rail will measure more than 30° (see Figure 7).

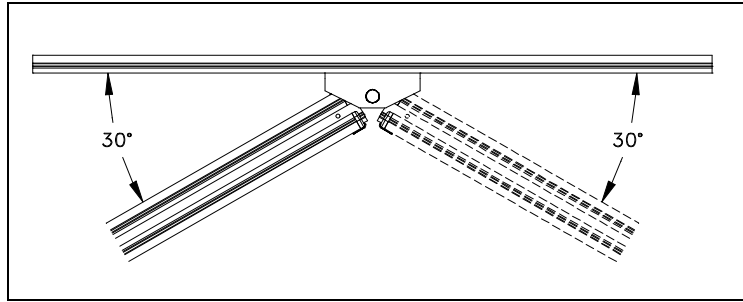


Figure 7

WHAT'S INCLUDED (WALL MOUNT ADAPTOR)

Item	Description	Part number	Qty
1	Wall mount plate	211.10850	1
2	Pivoting rail attachment	700.10870	1
Includes:			
3	Round blue cap	200.10720	1
4	Pivot wall mount	N/A	1
5	M10 x 25 screw	000.04090	4
6	Lockwasher M10	000.04425	4
7	Fixation wall mount	N/A	1
8	Back plate	N/A	1

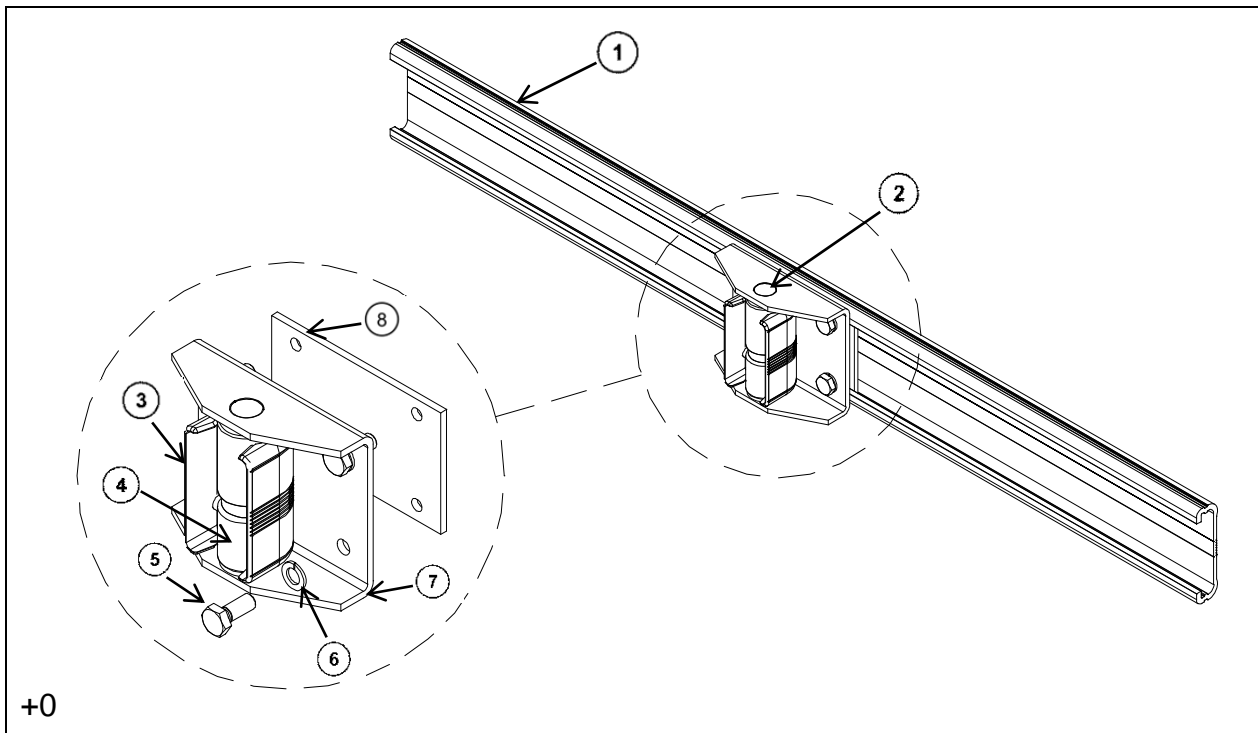


Figure 8

ASSEMBLY

ASSEMBLY FOR WALL BRACKET EASYTRACK SYSTEM

WARNING: Read the section "Requirements" and the warnings before attempting to assemble the Wall Mount Adaptor system.

REQUIRED ELEMENTS

- Step ladder
- Tape measure
- Six (6) concrete 3/8" anchors or six (6) 3/8" lag bolts
- Drill
- Wrench with a 9/16" socket
- Stud finder
- Someone to assist you

1) Refer to Figures 9 and 10 below for the distance required between the ceiling and where the top of the Wall Mount Adaptor must be installed. Please note that when the wall bracket has the pivoting rail of a 3-post system attached, the mounting point must be lower than a standard rail.

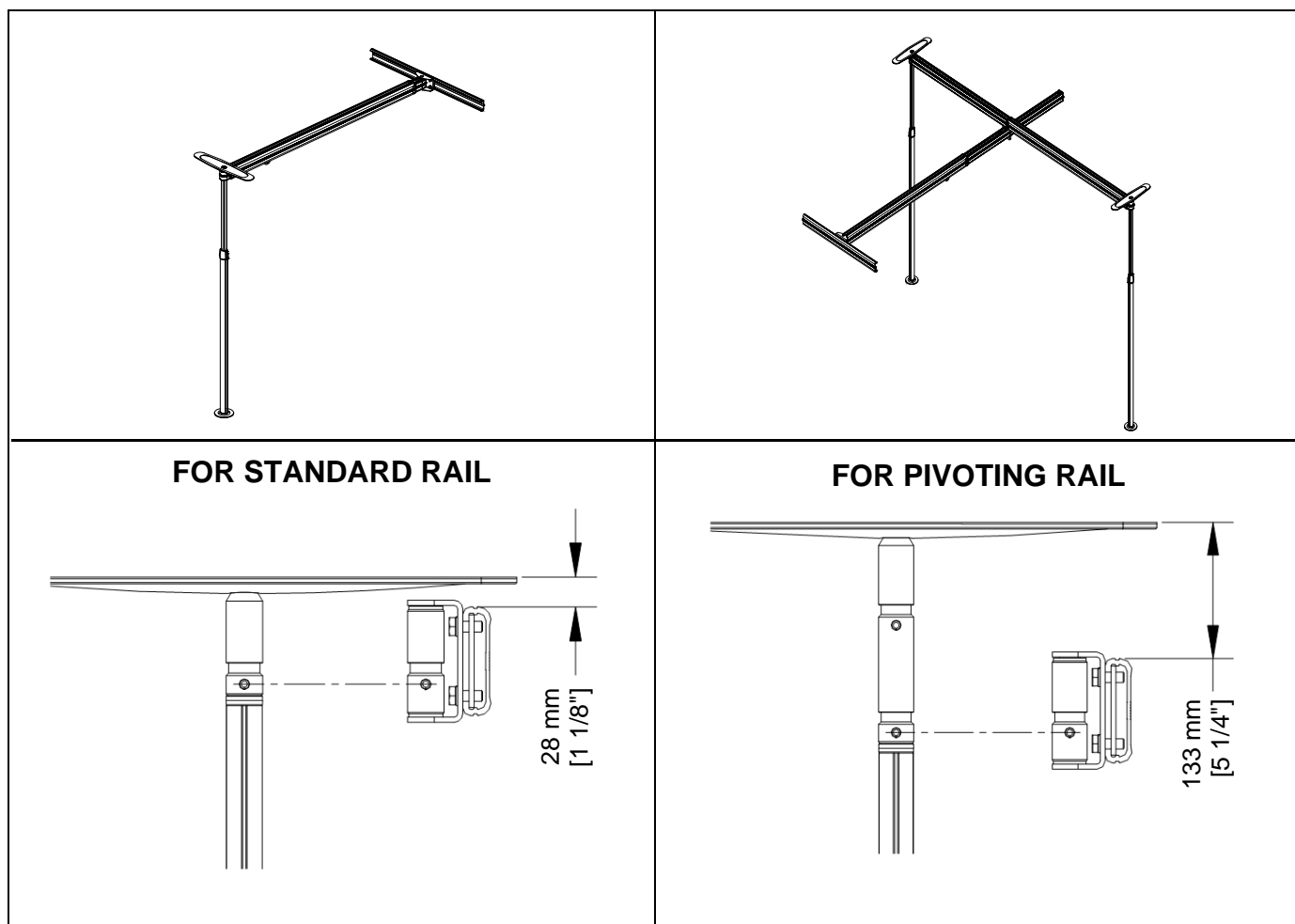


Figure 9

Figure 10

2) Install the wall plate on the wall. The wall plate must be installed on a concrete wall with six (6) 3/8 in concrete anchors or on three (3) 2 x 3 (minimum size) wooded studs with two (2) 3/8" dia. (M10) and 4 in long lag bolts on each stud (see Figure 11).

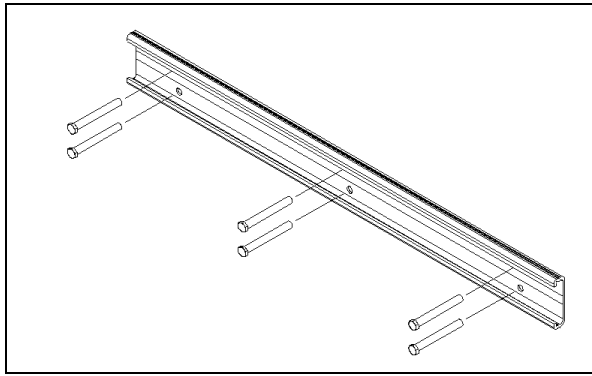


Figure 11

NOTE: Make sure the rail is levelled before securing it to the wall.

Wood studs: Use a stud finder to find the center of each stud. It is necessary to pre-drill holes into each stud before screwing the lag bolt to prevent the wood from cracking.

Follow drill size recommendation for lag bolt:

LAG BOLT	M10 (3/8")
PRE-DRILL SIZE	6.5 mm (1/4")

WARNING: Pre-drilled holes must be in the center of the stud. If holes are not properly centered, serious damage or injury may occur.

WARNING: DO NOT install steel studs, since reinforcement may be required. Call your ArjoHuntleigh dealer for more information.

WARNING: Avoid drilling close to any electrical wiring or plumbing. Please make sure you know what is behind the wall you are drilling in before doing any modifications to it. Failure to do so may cause serious injury.

- 3) Insert the pivoting rail attachment into the wall plate. Make sure that the bracket is placed properly (see Figure 12).

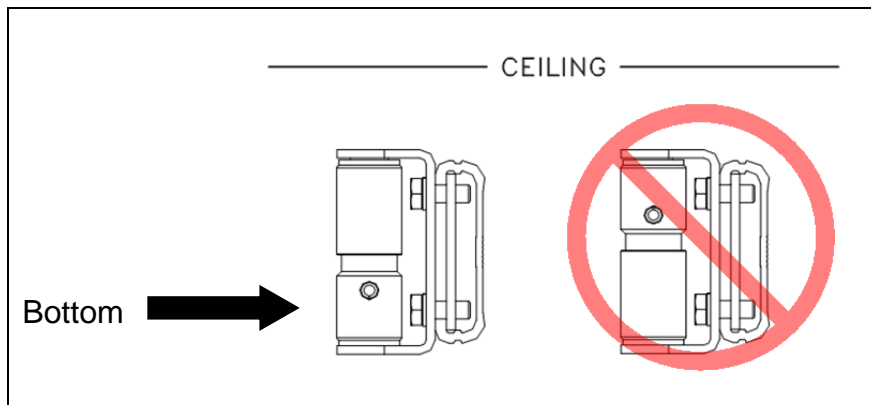


Figure 12

- 4) See the section "Getting Started" for suggested positions. Slide the pivoting rail attachment into its final position. For the 3-post assembly, the bracket must be placed in a way that the rail will not, when turning, generate an angle beyond the maximum allowed (see Figure 13).

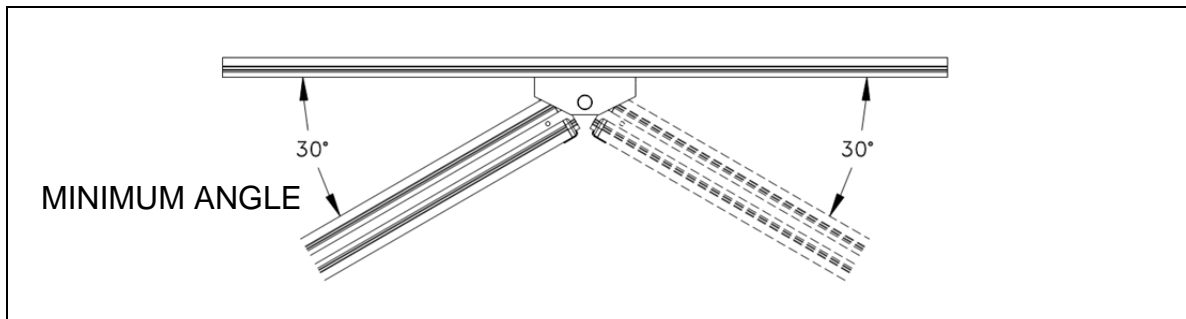


Figure 13

- 5) Tighten the four (4) bolts on pivoting rail attachment. The rail can now be attached to the Wall Mount Adaptor.

SPECIFICATIONS

EASYTRACK WALL MOUNT ADAPTOR SPECIFICATIONS

SPECIFICATIONS	
Product code	700.10860
Capacity	200 kg (440 lb)
Material	Anodised aluminium and steel
Weight	12 kg (27 lb)

WALL MOUNT ADAPTOR DIMENSIONS

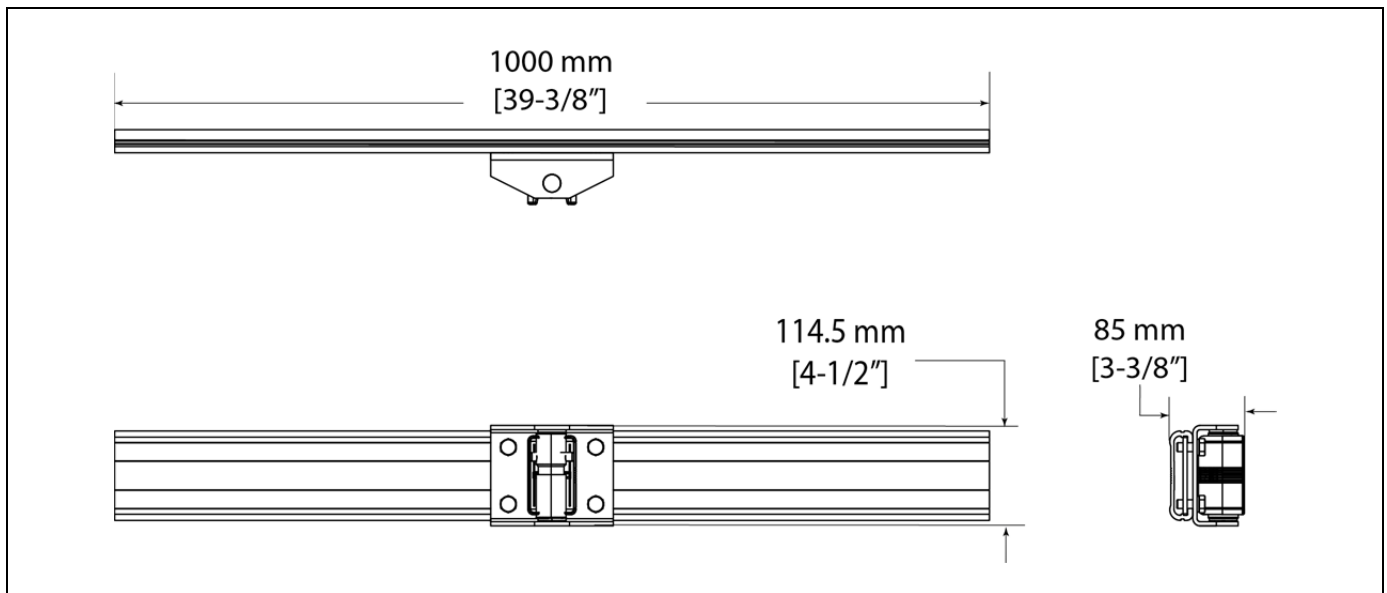


Figure 14

MAINTENANCE

WARNING: Failure to follow maintenance instructions below when indicated could result in injury or damage.

Periodic inspection should be performed by a person who is suitable and properly qualified and well acquainted with the design, use and care of the Easytrack system. Contact your local dealer/distributor.

WARNING: Inspection should be carried out routinely (at least as often as specified), and as necessary. All defects and damages that have lead to corrective actions should be noted, signed and dated by the inspector. Defects and resulting actions should be reported to your supplier.

Before each time you use the Easytrack Wall Mount Adaptor:

1. Check that the rail is secured in place. Press the rail upward to make sure that the rail is locked onto the post.
2. Check if there is any appearance of damage. IF THERE IS ANY APPEARANCE OF DAMAGE, DO NOT USE THE EASYTRACK SYSTEM.

Every month the following should be done :

1. Clean inside of rail with a damp cloth to ensure there is no dust or grease build-up inside of rail.
2. Check to ensure you still have all your original parts. If any part is missing, it should be replaced BEFORE USING THE EASYTRACK WALL MOUNT ADAPTOR AGAIN.
3. Check for the appearance of rust. If rust is starting to appear, simply scrub the piece clean. Examine all joints and pieces for wear and fatigue. Replace any part that looks damaged or worn.
4. Keep a log of any repair/replacement/inspection.

AUSTRALIA

ArjoHuntleigh Pty Ltd
78, Forsyth street
O'Connor
AU-6163 Western Australia
Tel: +61 89337 4111
Free: +1 800 072 040
Fax: + 61 89337 9077

BELGIQUE / BELGIË

ArjoHuntleigh NV/SA
Evenbroekveld 16
BE-9420 ERPE-MERE
Tél/Tel: +32 (0) 53 60 73 80
Fax: +32 (0) 53 60 73 81
E-mail: info@arjohuntleigh.be

BRASIL

Maquet do Brasil
Equipamentos Médicos Ltda
Rua Tenente Alberto Spicciati, 200
Barra Funda, 01140-130
SÃO PAULO, SP - BRASIL
Fone: +55 (11) 2608-7400
Fax: +55 (11) 2608-7410

CANADA

ArjoHuntleigh
90 Matheson Boulevard West
Suite 300
CA-MISSISSAUGA, ON, L5R 3R3
Tel/Tél: +1 905 238 7880
Free: +1 800 665 4831 Institutional
Free: +1 800 868 0441 Home Care
Fax: +1 905 238 7881
E-mail: info.canada@arjohuntleigh.com

ČESKÁ REPUBLIKA

ArjoHuntleigh s.r.o.
Hlinky 118
CZ-603 00 BRNO
Tel: +420 549 254 252
Fax: +420 541 213 550

DANMARK

ArjoHuntleigh A/S
Vassingerødvej 52
DK-3540 LYNGE
Tel: +45 49 13 84 86
Fax: +45 49 13 84 87
E-mail:
dk_kundeservice@arjohuntleigh.com

DEUTSCHLAND

ArjoHuntleigh GmbH
Peter-Sander-Strasse 10
DE-55252 MAINZ-KASTEL
Tel: +49 (0) 6134 186 0
Fax: +49 (0) 6134 186 160
E-mail: info-de@arjohuntleigh.com

ΕΛΛΑΔΑ

C. Psimitis Co Ltd
Dimitriou Andr. 59
GR-16121 KAISARIANI ATTIKIS
Τηλ: 21 0724 36 68
Φάξ: 21 0721 55 53

ESPAÑA

ArjoHuntleigh Ibérica S.L.
Ctra. de Rubí, 88 1ª planta - A1
08173 Sant Cugat del Vallés
ES- BARCELONA 08173
Tel: +34 93 583 11 20
Fax: +34 93 583 11 22
E-mail: info.es@arjohuntleigh.com

FRANCE

ArjoHuntleigh SAS
2 Avenue Alcide de Gasperi
CS 70133
FR-59436 RONCQ CEDEX
Tél: +33 (0) 3 20 28 13 13
Fax: +33 (0) 3 20 28 13 14
E-mail: info.france@arjohuntleigh.com

HONG KONG

ArjoHuntleigh (Hong Kong) Ltd
1510-17, 15/F, Tower 2
Kowloon Commerce Centre
51 Kwai Cheong Road
Kwai Chung
HONG KONG
Tel: +852 2207 6363
Fax: +852 2207 6368

INTERNATIONAL

ArjoHuntleigh International Ltd.
ArjoHuntleigh House
Houghton Hall Park
Houghton Regis
UK-DUNSTABLE LU5 5XF
Tel: +44 (0) 1582 745 800
Fax: +44 (0) 1582 745 866
E-mail:
international@arjohuntleigh.com

ITALIA

ArjoHuntleigh S.p.A.
Via di Tor Vergata 432
IT-00133 ROMA
Tel: +39 (0) 6 87426211
Fax: +39 (0) 6 87426222
E-mail: Italy.promo@arjohuntleigh.com

NEDERLAND

ArjoHuntleigh Nederland BV
Biezenwei 21
4004 MB TIEL
Postbus 6116
4000 HC TIEL
Tel: +31 (0) 344 64 08 00
Fax: +31 (0) 344 64 08 85
E-mail: info.nl@arjohuntleigh.com

NEW ZEALAND

ArjoHuntleigh Ltd
41 Vestey Drive
Mount Wellington
NZ-AUCKLAND 1060
Tel: +64 (0) 9 573 5344
Free Call: 0800 000 151
Fax: +64 (0) 9 573 5384
E-mail: nz.info@ArjoHuntleigh.com

NORGE

ArjoHuntleigh Norway AS
Olaf Helsets vei 5
N-0694 OSLO
Tel: +47 22 08 00 50
Faks: +47 22 08 00 51
E-mail: no.kundeservice@arjohuntleigh.com

ÖSTERREICH

ArjoHuntleigh GmbH
Dörrstrasse 85
AT-6020 INNSBRUCK
Tel: +43 (0) 512 204 160 0
Fax: +43 (0) 512 204 160 75

POLSKA

ArjoHuntleigh Polska Sp. z o.o.
ul. Ks Piotra Wawrzyniaka 2
PL-62-052 KOMORNIKI (Poznan)
Tel: +48 61 662 15 50
Fax: +48 61 662 15 90
E-mail: arjo@arjohuntleigh.com

PORTUGAL

ArjoHuntleigh em Portugal:
MAQUET Portugal, Lda. (Distribuidor Exclusivo)
Rua Poeta Bocage n.º 2 - 2G
PT-1600-233 Lisboa
Tel: +351 214 189 815
Fax: +351 214 177 413
E-mail: Portugal@arjohuntleigh.com

SUISSE / SCHWEIZ

ArjoHuntleigh AG
Fabrikstrasse 8
Postfach
CH-4614 HÄGENDORF
Tél/Tel: +41 (0) 61 337 97 77
Fax: +41 (0) 61 311 97 42

SUOMI

Oy Vestek AB
Martinkuja 4
FI-02270 ESPOO
Puh: +358 9 8870 120
E-mail: info@vestek.fi

SVERIGE

ARJO Scandinavia AB
Hans Michelsensgatan 10
SE-211 20 MALMÖ
Tel: +46 (0) 10 494 7760
Fax: +46 (0) 10 494 7761
E-mail: kundservice@arjohuntleigh.com

UNITED KINGDOM

ArjoHuntleigh UK
ArjoHuntleigh House
Houghton Hall Park
Houghton Regis
UK-DUNSTABLE LU5 5XF
Tel: +44 (0) 1582 745 700
Fax: +44 (0) 1582 745 745
E-mail:
sales.admin@arjohuntleigh.com

USA

ArjoHuntleigh Inc.
2349 W Lake Street Suite 250
US-Addison, IL 60101
Tel: +1 630 307 2756
Free: +1 800 323 1245 Institutional
Free: +1 800 868 0441 Home Care
Fax: +1 630 307 6195
E-mail: us.info@arjohuntleigh.com

ARJOHUNTLEIGH

GETINGE GROUP

GETINGE GROUP is a leading global provider of products and systems that contribute to quality enhancement and cost efficiency within healthcare and life sciences. We operate under the three brands of **ArjoHuntleigh**, **GETINGE** and **MAQUET**. **ArjoHuntleigh** focuses on patient mobility and wound management solutions. **GETINGE** provides solutions for infection control within healthcare and contamination prevention within life sciences. **MAQUET** specializes in solutions, therapies and products for surgical interventions and intensive care.

www.ArjoHuntleigh.com



ArjoHuntleigh AB
Hans Michelsengatan 10
211 20 Malmö
SWEDEN



0 0 1 . 1 0 6 5 0 . E N