

# PARA RIDER HOIST

MADE BY  
**DOLPHIN MOBILITY**

## PARA RIDER WALL MOUNTED RIDING HOIST

The **Para Rider Hoist** was developed by Dolphin to enable people with **restricted mobility to safely mount and dismount from a horse.**



With the help of one of our UK manufacturing contacts we have created a hoist which can be attached to a **horsebox or wall mounted** for use in a stables or yard.

The Para Rider Hoist has an **easily removable actuator, control box, battery and handset**. The innovative design allows it to be stored when the hoist is not in use and the **fixings can be adapted to fix to a wall, upright post or horsebox**.

### The Body Support lifts people quickly, safely and easily

It also eliminates the need to constantly launder and replace slings bringing a long term cost benefit.

### WHY YOU SHOULD BUY A PARA RIDER



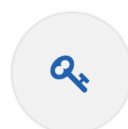
Allows for a wider range of people to access both Para Horses and mechanical horses



Manufactured in the UK



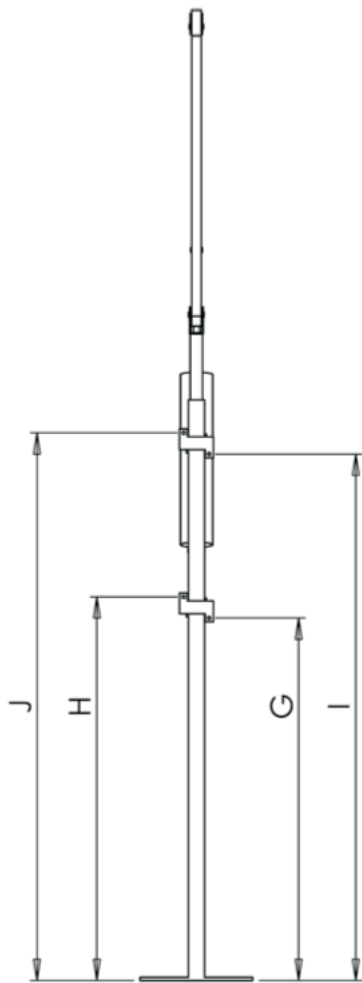
Quiet Motor for safe spook free transfers



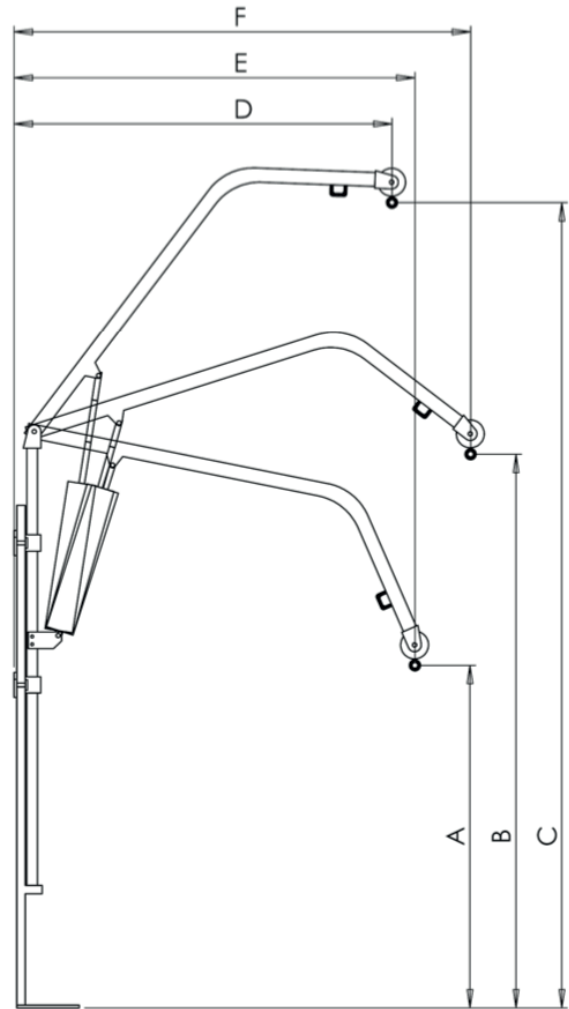
Unique Body Support System designed for quick application and removal

# TECHNICAL INFORMATION

REAR VIEW

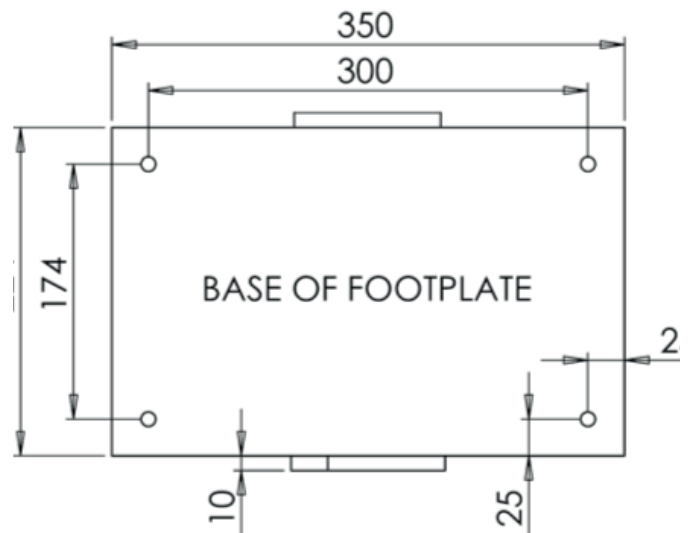


SIDE VIEW



Dimensions (mm)

A (min height)	1275
B	1968*
C (max height)	2930
D	1338*
E	1420*
F (max reach)	1580
G	1125
H	1190
I	1640
J	1705



FOR MORE INFORMATION ON ALL OF OUR PRODUCTS, VISIT OUR WEBSITE [WWW.DOLPHINLIFTS.CO.UK](http://WWW.DOLPHINLIFTS.CO.UK) OR CALL US ON **0800 9800 126**